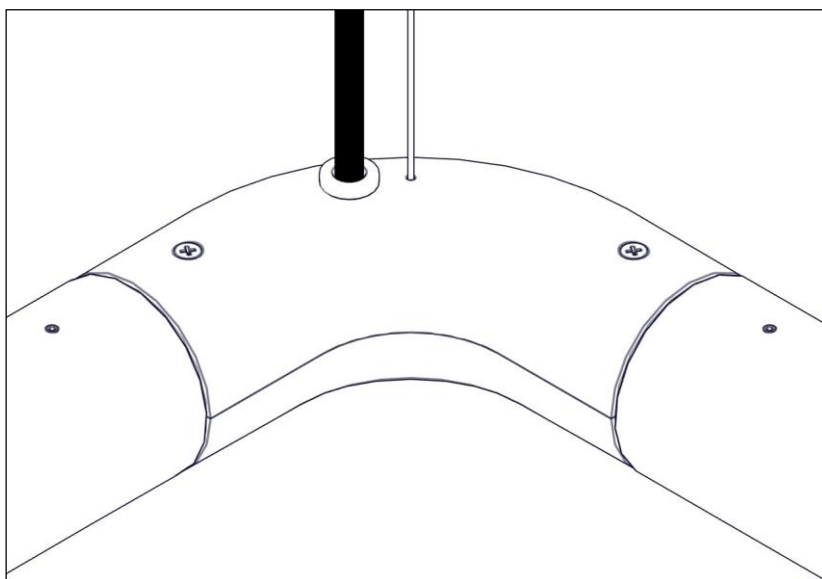
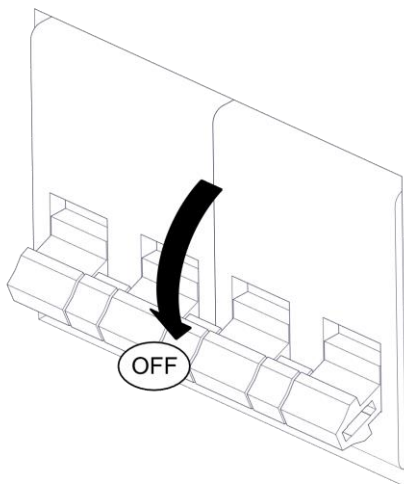
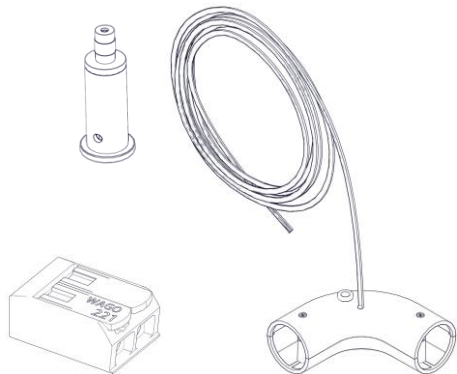
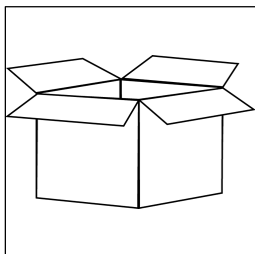
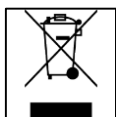
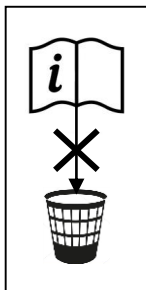
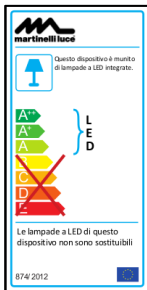
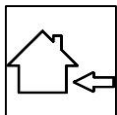


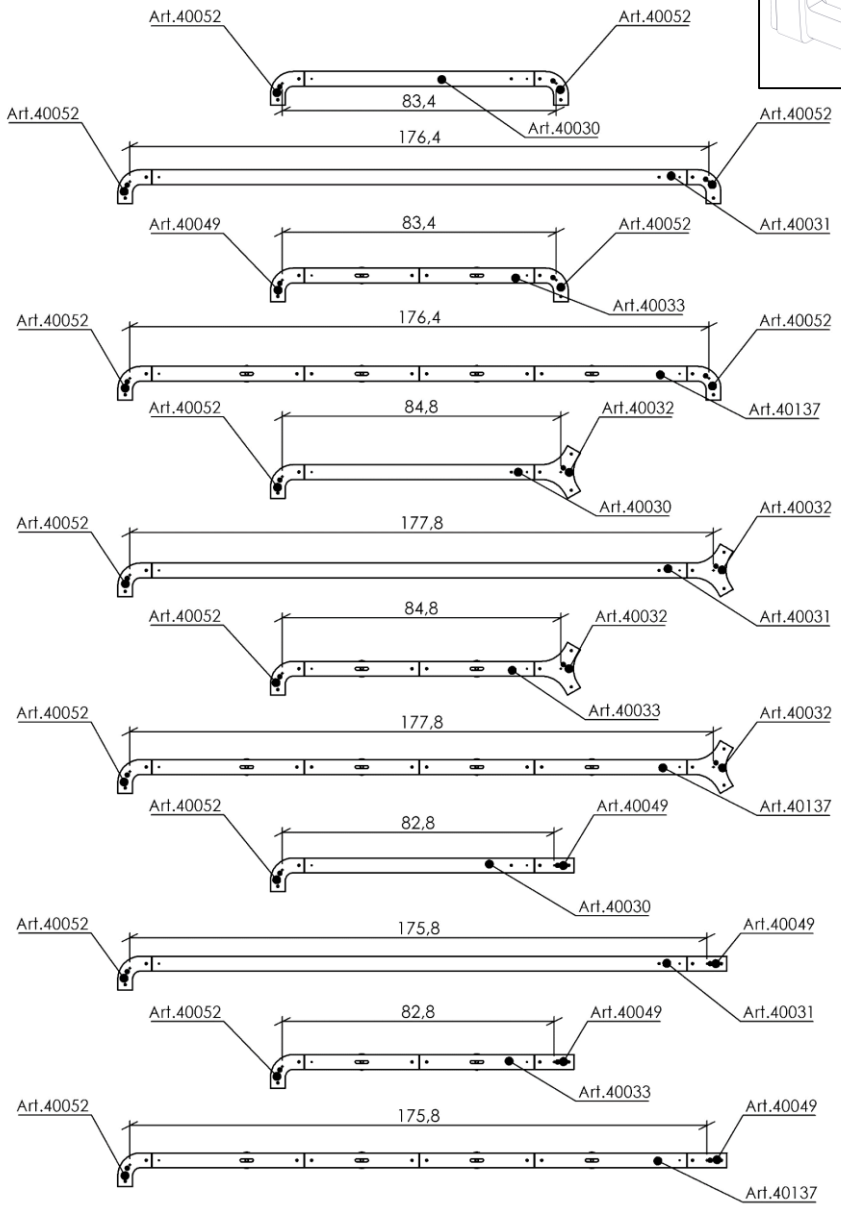
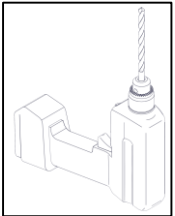
40052

GIUNTO 90° CALABRONET

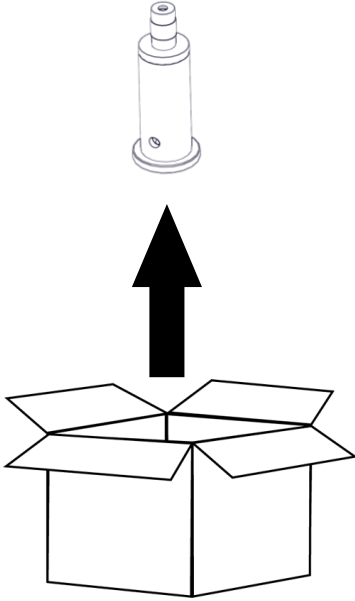
Design Emiliana Martinelli – 2017



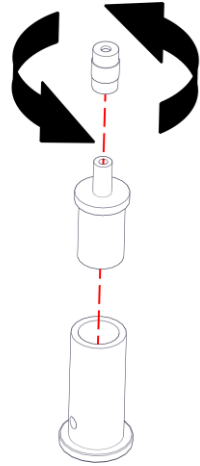




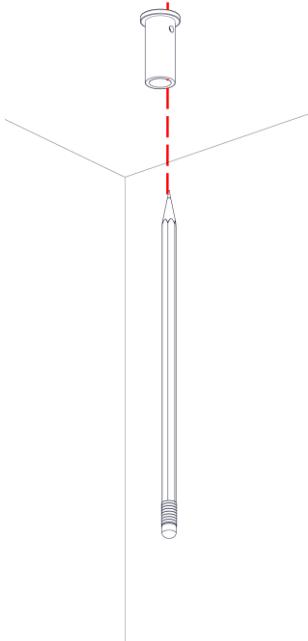
1



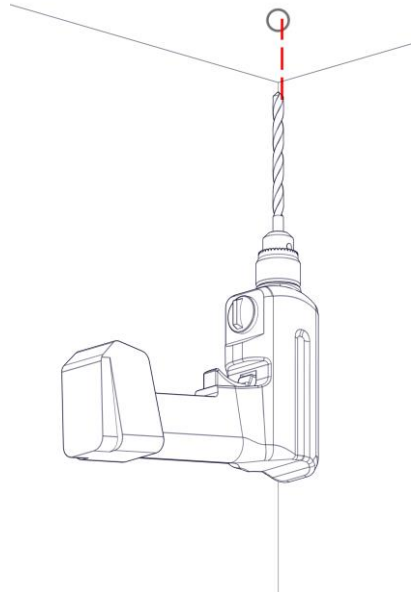
2



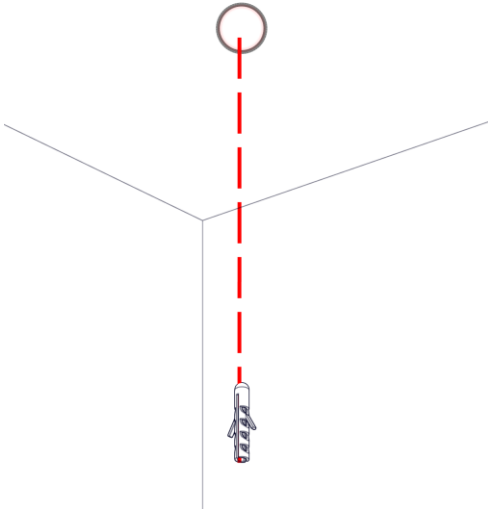
3



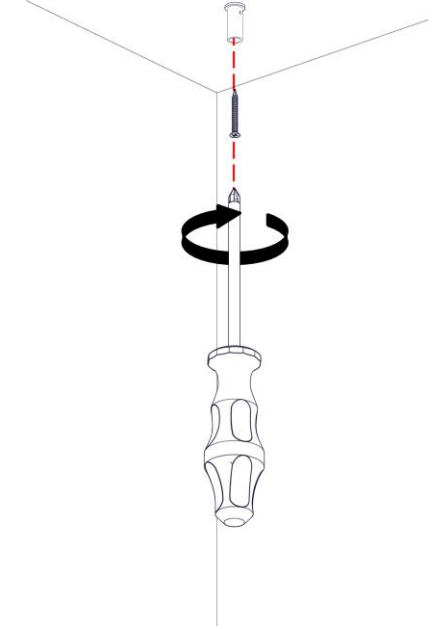
4



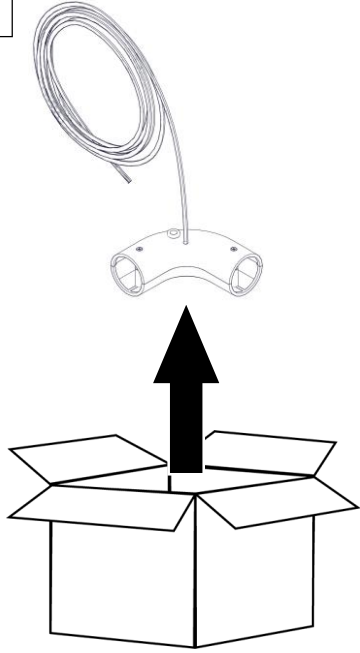
5



6

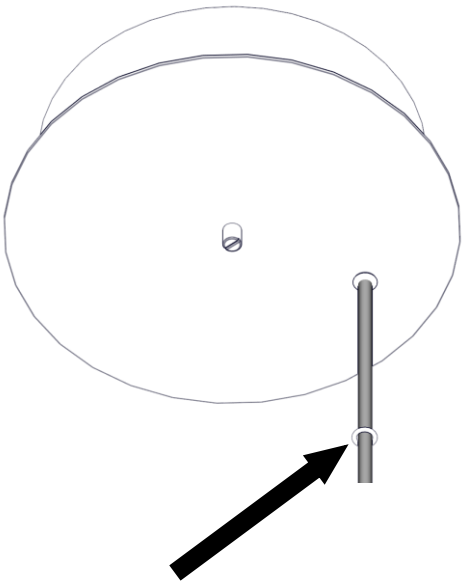


7

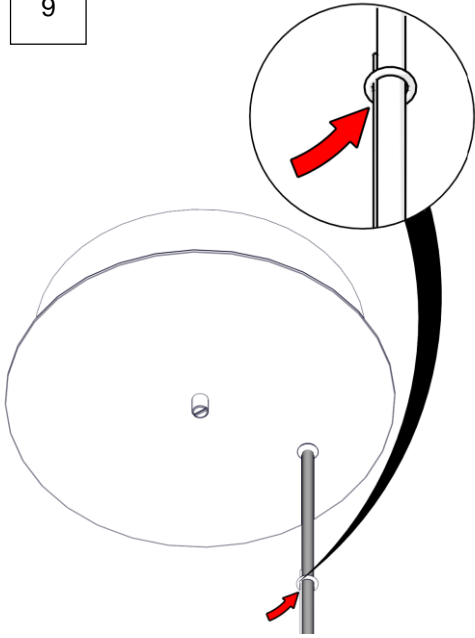


8

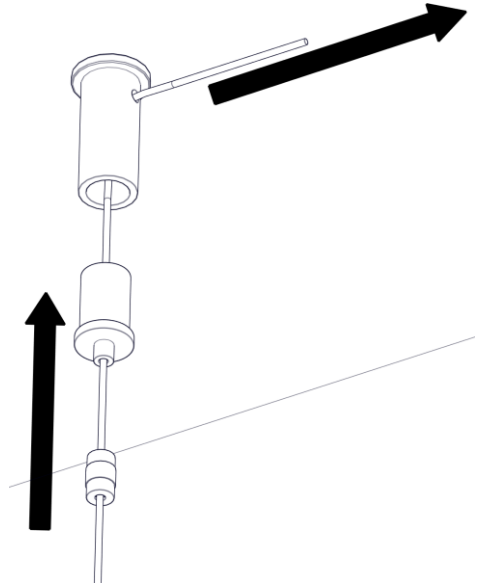
| | |
|-------------------|------------------|
| Art. 40114 | max 75 W |
| Art. 40158 | max 150 W |
| Art. 40160 | max 240 W |



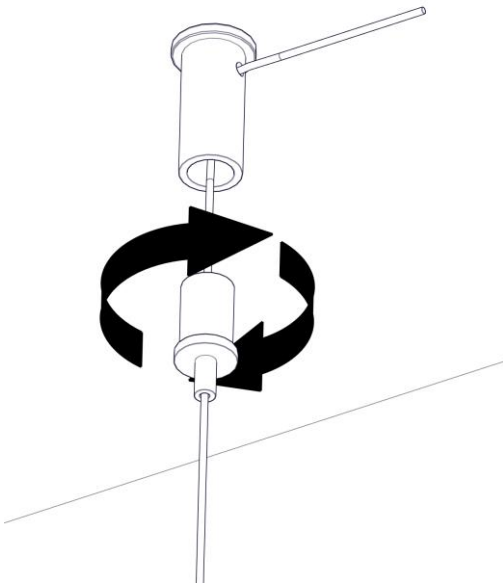
9



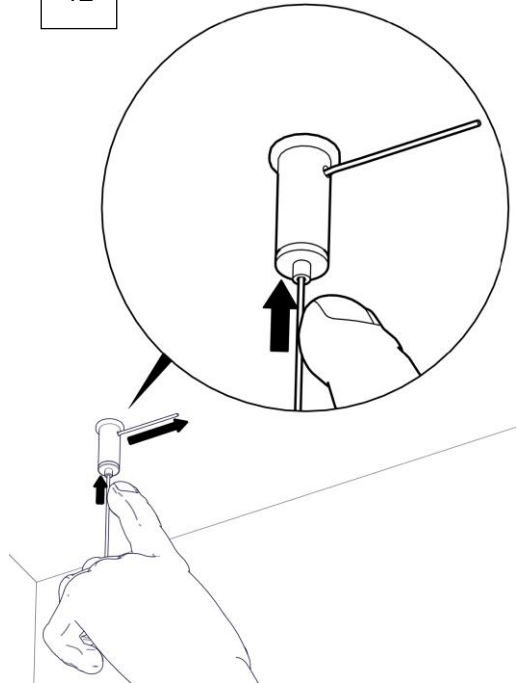
10



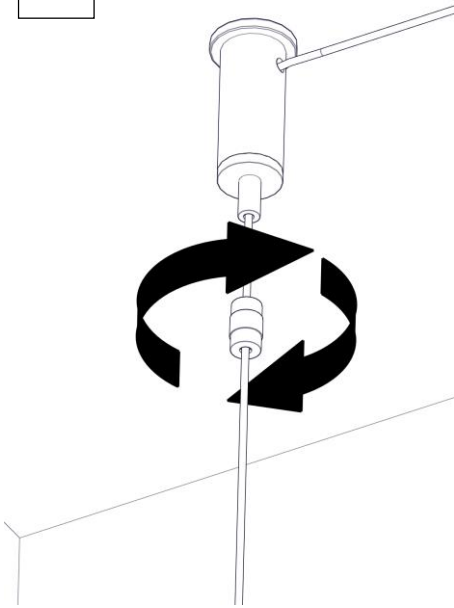
11



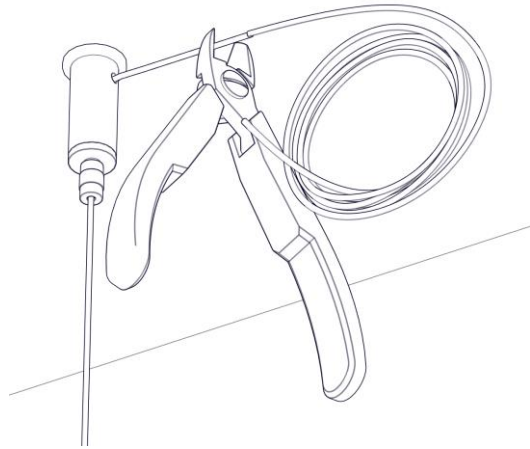
12



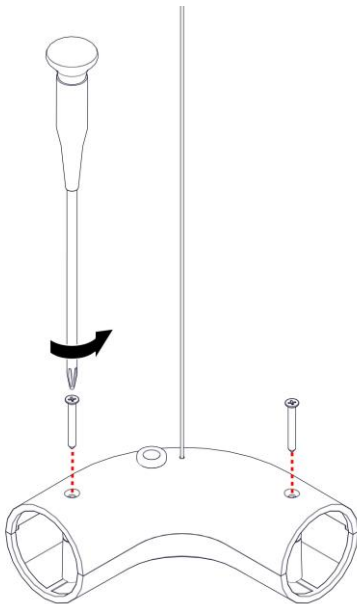
13



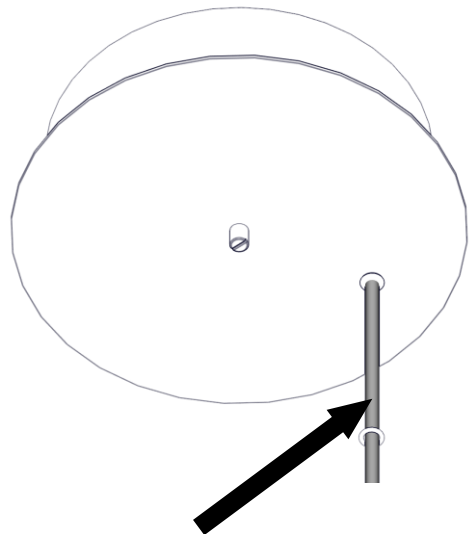
14



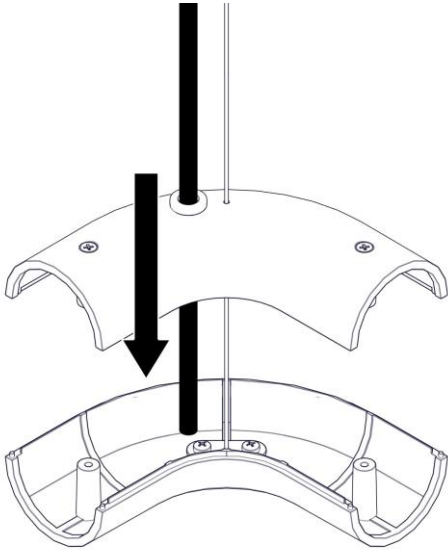
15



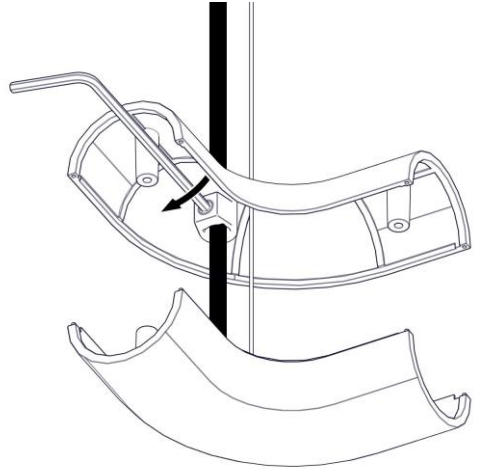
16



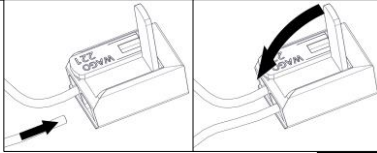
17



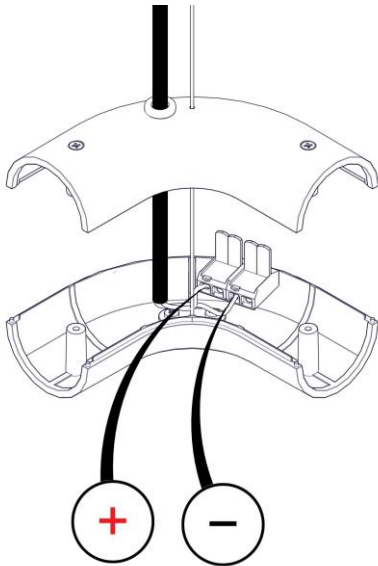
18



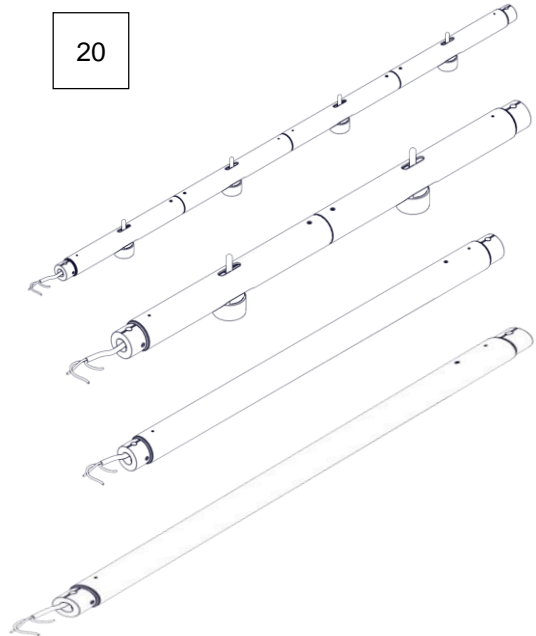
19



i



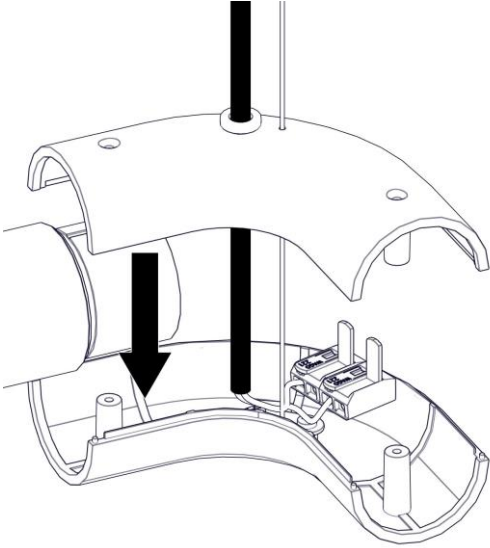
20



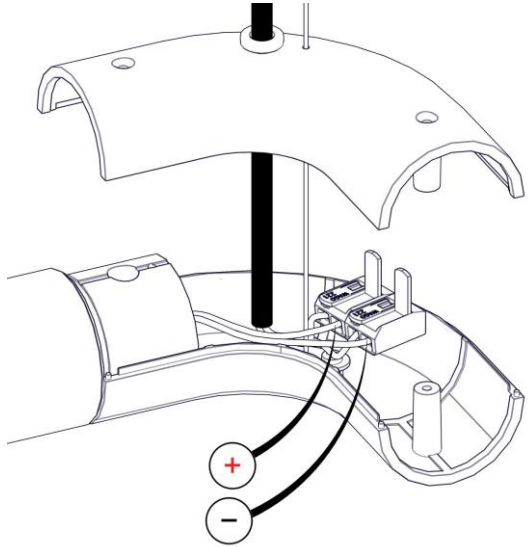
**Art. 40030 - 40031 -
40033 - 40137**

21 → 32

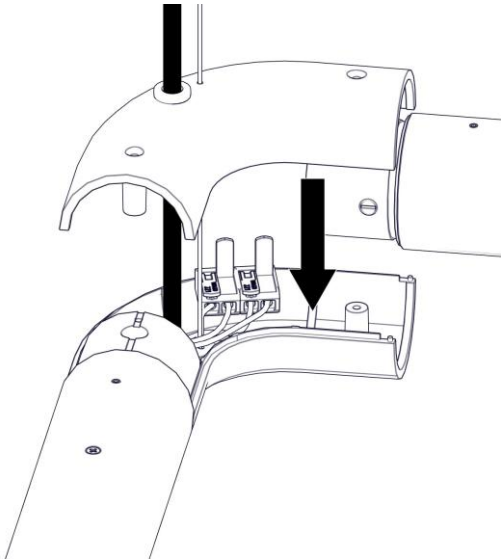
21



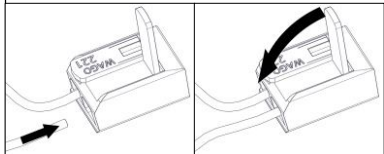
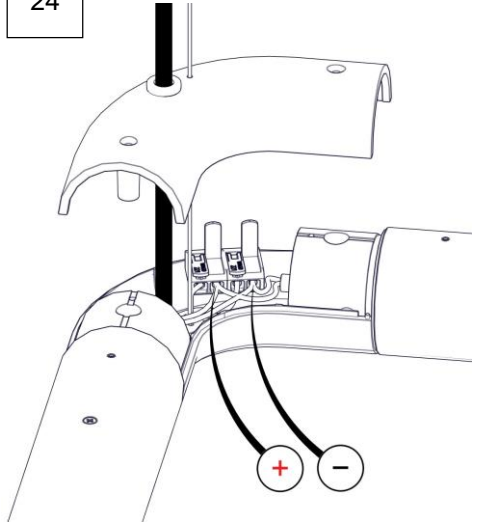
22



23

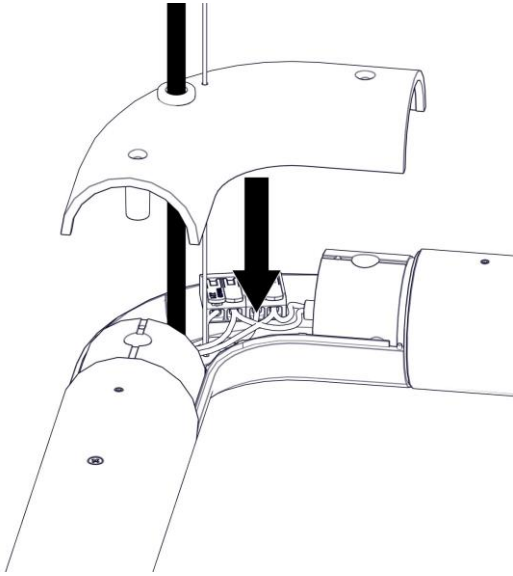


24

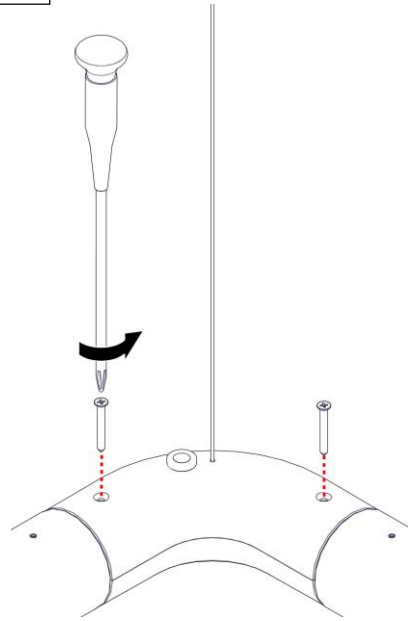


i

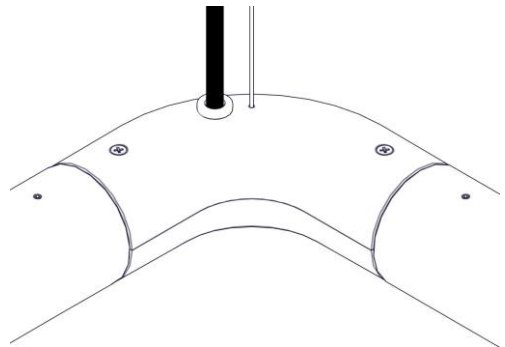
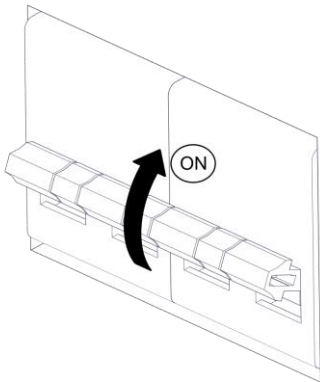
25



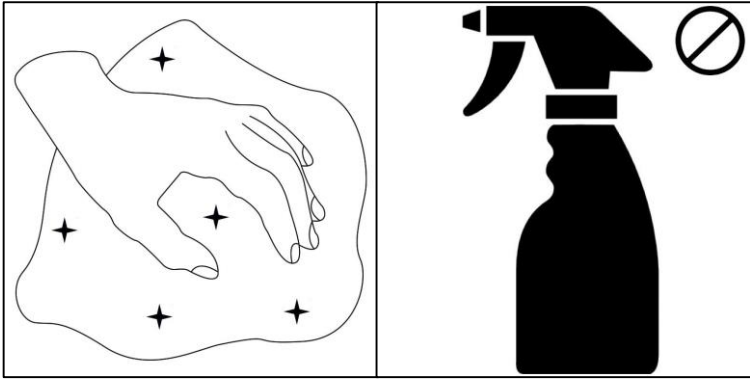
26



27



i



martinelli luce

Via Teresa Bandettini
55100 Lucca (Lu) – Italy

Tel.+39/0583.418315
Fax. +39/0583.419003

www.martinelliluce.it
info@martinelliluce.it