

# Loop

Loop circular

Emiliana Martinelli

colors



Typology      Pendant  
Utilisation    Indoor

230V 271.2 W 24868 lm



diffuse light



---

Hanging lamp, diffused light, composed with curved sectors in painted aluminium profile. The union of those sectors offer different diameters rings, hanged by stainless steel cables. White opal polycarbonate diffuser. Integrated LED light source. Electronic dimmable Push/Dali, 0-10V e 1-10V driver inside in the canopy. Available on request 2700K, 4000K.

interior light emission:

21003/500/DIM Ø 500cm  
composed by 6 sectors 60°

21003/400/DIM Ø 400cm  
composed by 5 sectors 72°

21003/300/DIM Ø 300cm  
composed by 4 sectors 90°

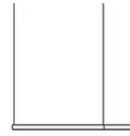
21003/200/DIM Ø 200cm  
composed by 3 sectors 120°

21003/160/DIM Ø 160cm  
composed by 3 sectors 120°

---



Family	Loop
Typology	Pendant
Utilisation	Indoor



### Dimensions

Diameter	200 cm
Weight	18 Kg

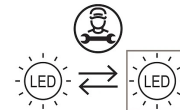
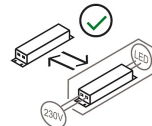


### Materials

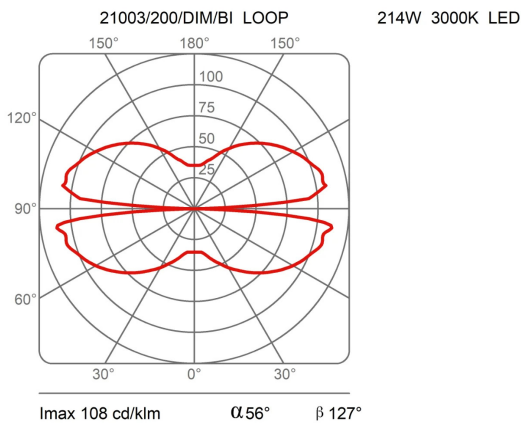
Structure	aluminium	Diffuser	polycarbonate
-----------	-----------	----------	---------------

Voltage	230V	Watt	271.2 W
Power unit	Included	Lumen	24868 lm
Mounting Power Supply	External	CRI	>80
		CCT	3000 K
Power supply	Electronic dimmable power supply	Energy class	
Dimming	Push		
	Dali2		
	Pot. 10K $\Omega$		
	0-10V		
	1-10V		

### Certifications



### Photometric curves





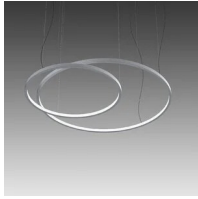
Colour variant code



21003/200/DIM/BI



White



21003/200/DIM/NE



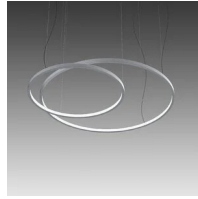
Black



21003/200/DIM/AU



Pearl Gold



21003/200/DIM/CU



Copper