



Light Module Ø 80 Cm Lunaop

2700K

Emiliana Martinelli

colors



Typology Pendant

Utilisation Indoor

24V 72.2 W 6626 lm



diffuse light

Hanging lamp, diameter 80cm, diffused light, coated aluminum structure in various finishes.
White frost methacrylate diffuser.

The structure needs to be connected to the ceiling through the canopy, both for the single version and for the version composed by more than one Lunaop. LED light source integrated, 4000K, 3000K or 2700K.

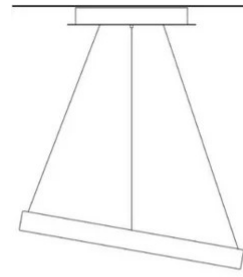
Canopy to be ordered separately available in accessories.

Award



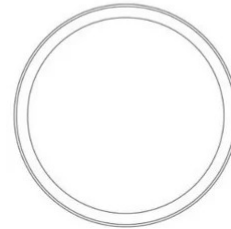


Family	Light module Ø 80 cm Lunaop
Typology	Pendant
Utilisation	Indoor



Dimensions

Height	6,5 cm
Diameter	80 cm
Power supply cable length	400 cm
Weight	2.25 Kg



Materials

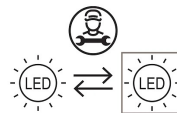
Structure	aluminium	Diffuser	methacrylate O40
-----------	-----------	----------	------------------

Voltage	24V	Watt	72.2 W
Power unit	Excluded	Lumen	6626 lm
Mounting Power Supply	External	CRI	>80
		CCT	2700 K
		Energy class	F

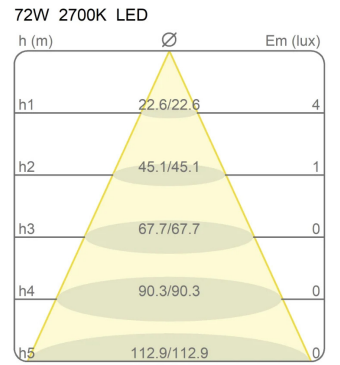
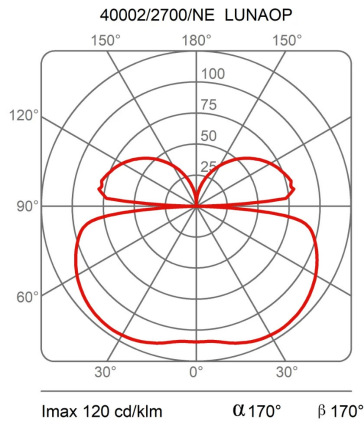
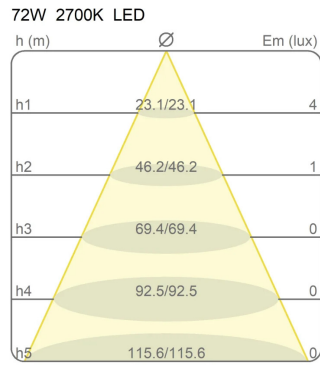
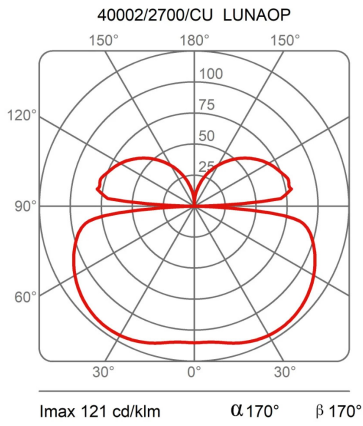
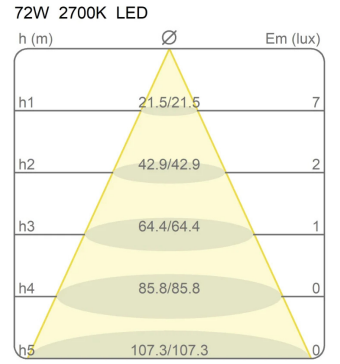
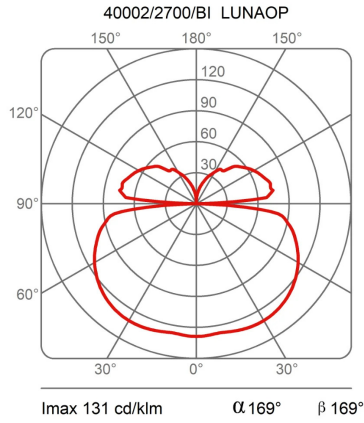
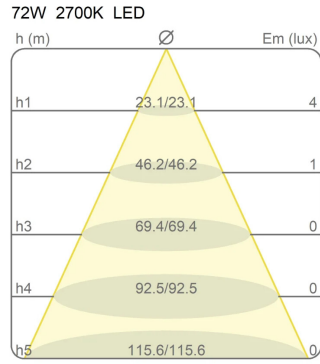
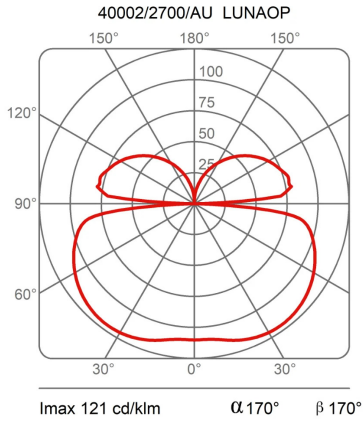
Certifications



EcoLabel



Photometric curves





Colour variant code



40002/2700/BI


White



40002/2700/NE


Black



40002/2700/AU


Pearl Gold

40002/2700/BM


Bronze Textured

40002/2700/OV


Vintage Brass

Gallery

