



R19

Studio Tecnico ML

colors



Typology Spotlight

Utilisation Indoor

230V 20 W 2430 lm



direct light

Adjustable LED projector, for 230V electrified track.

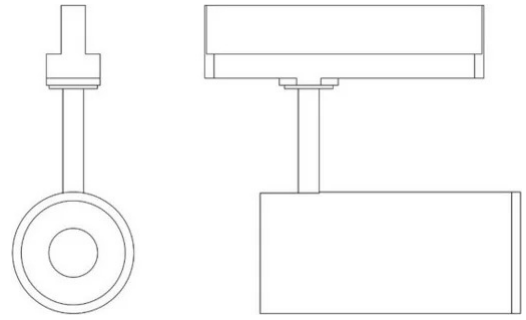
Swivel system with double bifocal lenses, which allows the light beams opening angles to be controlled from 15° to 60° while maintaining high levels of efficiency.

Painted aluminium structure. For LED light source. Integrated driver included into the body lamp.

For the electrified track



Family	R19
Typology	Spotlight
Utilisation	Indoor

**Dimensions**

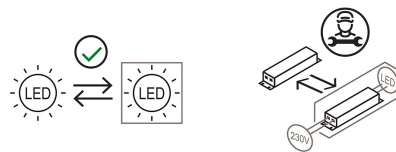
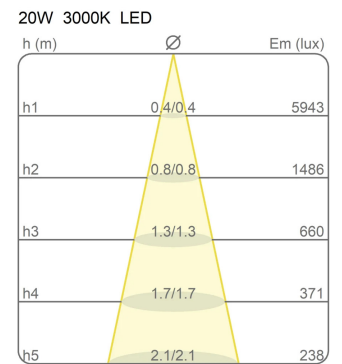
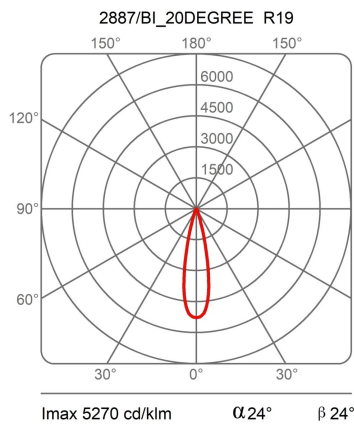
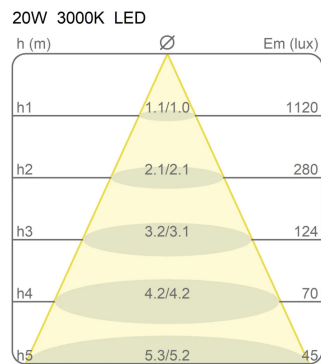
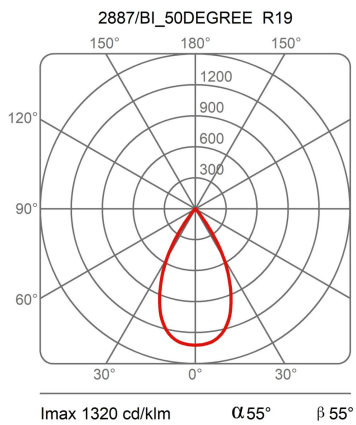
Height	17/21,5 cm
Diameter	7 cm
Weight	0.5 Kg

**Materials**

Structure	aluminium
-----------	-----------

Voltage	230V
Non dimmable	

Watt	20 W
Lumen	2430 lm
Duration	50000 h
CCT	3000 K
Energy class	E

**Certifications****EcoLabel****Photometric curves**

Colour variant code



2887/BI



White



2887/NE



Black

Gallery



## Accessories



**5958**  
Power supply



**5959**  
Power supply



**5955**  
Electrified tracks



**5957**  
Electrified tracks



**5956**  
Electrified tracks



**5965**  
Hanging cable with terminal canopy (3m)



**5961**  
Joint



**5960**  
Joint



**5962**  
Joint



**5963**  
Joint



**5967**  
Ceiling connector



**5964**  
Closed head