



# Light Module Eye

3 connections (120°-120°-120°) - narrow beam

Emiliana Martinelli

colors



Typology Ceiling  
Utilisation Indoor

230V 11 W 2225 lm



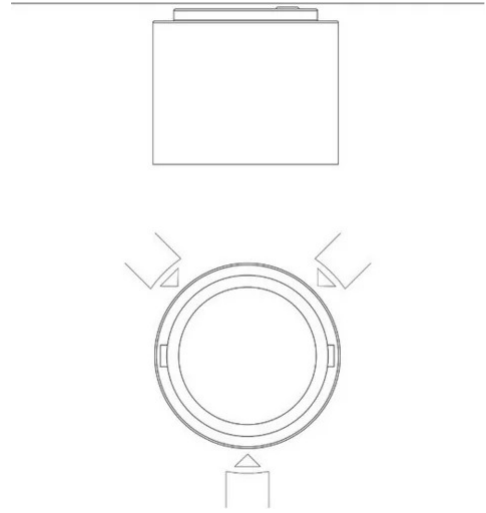
direct light

**EYE, PREPARED FOR 3 CONNECTION MODULES (120°-120°-120°).**

Eye is a ceiling lamp with direct/swivel light. Painted aluminium structure. LED light source integrated. Complete of electronic driver.



Family	Light module Eye
Typology	Ceiling
Utilisation	Indoor



**Dimensions**

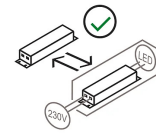
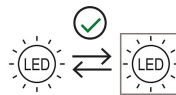
Height	11 cm
Diameter	16 cm
Power supply cable length	0 cm
Weight	1.6 Kg

**Materials**

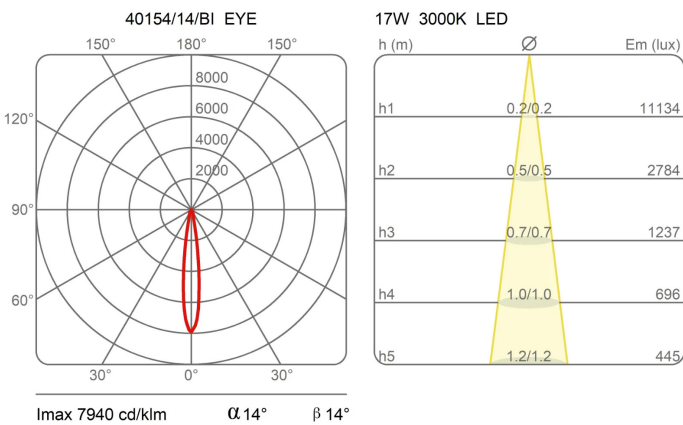
Structure	aluminium
-----------	-----------

Voltage	230V	Watt	11 W
Power unit	Included	Lumen	2225 lm
Mounting Power Supply	Indoor	CRI	>90
Power supply	Electronic power supply	CCT	3000 K
Non dimmable		Energy class	E

**Certifications**



**Photometric curves**





Colour variant code



40154/24/BI



White



40154/24/NE



Black



Accessories



**40155**  
Joint Eye



**40156**  
Joint Eye



**40157**  
Joint Eye

---