



Light Module Ø 80 Cm Lunaop

2700K

Emiliana Martinelli

colors



Typology Pendant
Utilisation Indoor

24V 72.2 W 6626 lm



diffuse light

Hanging lamp, diameter 80cm, diffused light, coated aluminum structure in various finishes.
White frost methacrylate diffuser.

The structure needs to be connected to the ceiling through the canopy, both for the single version and for the version composed by more than one Lunaop. LED light source integrated, 4000K, 3000K or 2700K.

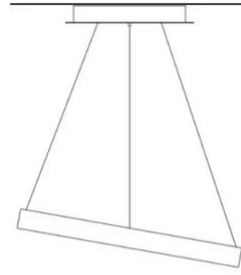
Canopy to be ordered separately available in accessories.

Award



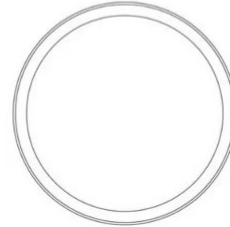


| | |
|-------------|-----------------------------|
| Family | Light module Ø 80 cm Lunaop |
| Typology | Pendant |
| Utilisation | Indoor |



Dimensions

| | |
|---------------------------|---------|
| Height | 6,5 cm |
| Diameter | 80 cm |
| Power supply cable length | 400 cm |
| Weight | 2.25 Kg |

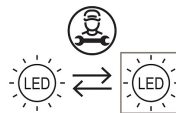


Materials

| | | | |
|-----------|-----------|----------|------------------|
| Structure | aluminium | Diffuser | methacrylate O40 |
|-----------|-----------|----------|------------------|

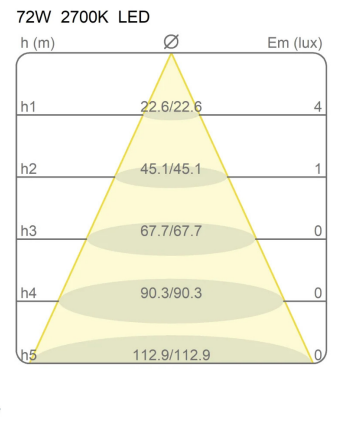
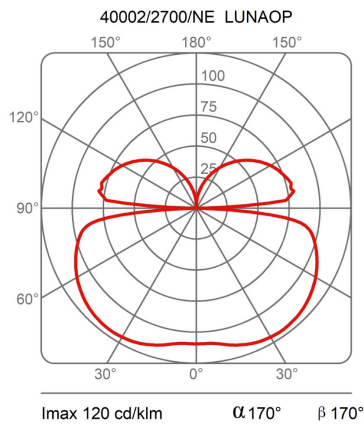
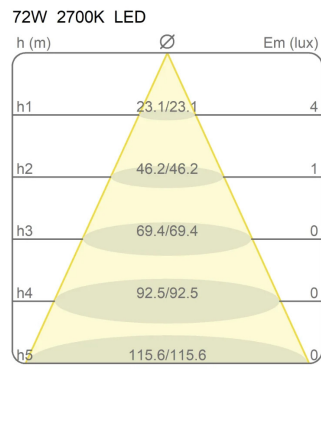
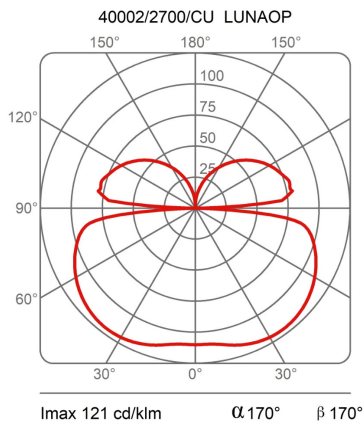
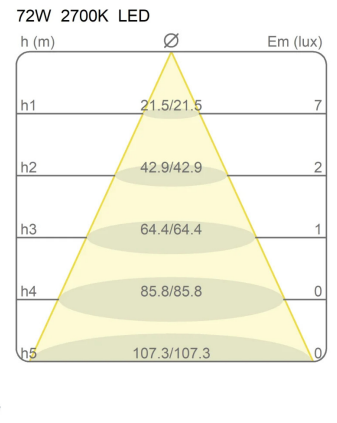
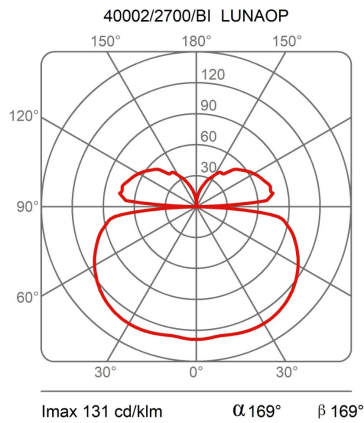
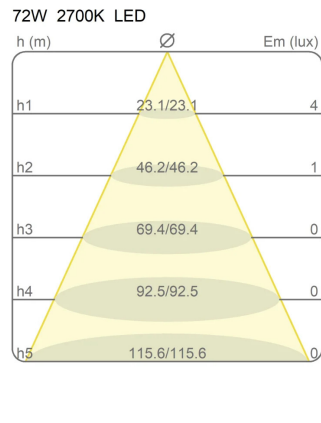
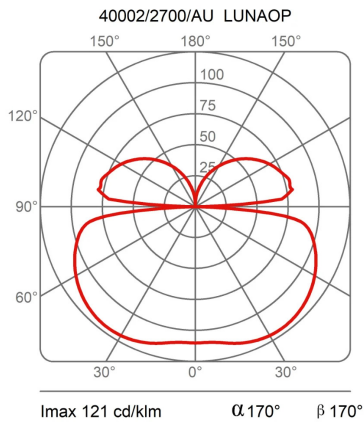
| | | | |
|-----------------------|----------|--------------|---------|
| Voltage | 24V | Watt | 72.2 W |
| Power unit | Excluded | Lumen | 6626 lm |
| Mounting Power Supply | External | CRI | >80 |
| | | CCT | 2700 K |
| | | Energy class | F |

Certifications





Photometric curves



Colour variant code



40002/2700/BI

White



40002/2700/NE

Black



40002/2700/AU

Pearl Gold

40002/2700/BM

Bronze
Textured

40002/2700/OV

Vintage
Brass



Gallery

