



Toggle

Neil Poulton

colors



Typology Wall
Utilisation Indoor

230V 4.5 W 700 lm



direct light

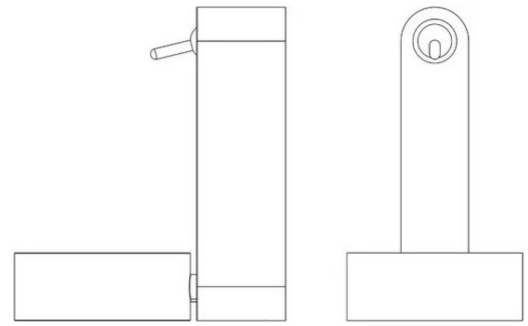
Toggle is made of die-cast aluminium painted with a satin polycarbonate diffuser. LED light source and built-in power supply.



| | |
|-------------|--------|
| Family | Toggle |
| Typology | Wall |
| Utilisation | Indoor |

Dimensions

| | |
|------------|---------|
| Height | 17,1 cm |
| Profondità | 14,8 cm |
| Diameter | 9,6 cm |
| Weight | 0.7 Kg |

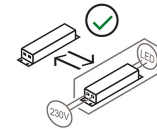
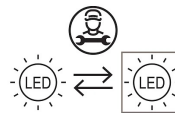


Materials

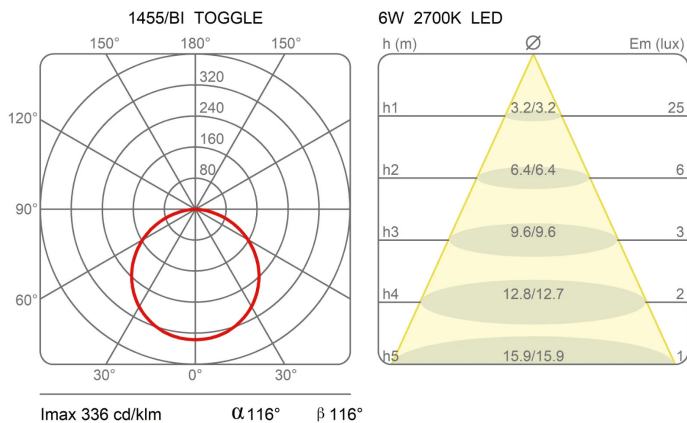
| | | | |
|-----------|-----------|----------|---------------|
| Structure | aluminium | Diffuser | polycarbonate |
| Elementi | aluminium | | |

| | | | |
|--------------|------|--------------|--------|
| Voltage | 230V | Watt | 4.5 W |
| Non dimmable | | Lumen | 700 lm |
| | | CRI | >80 |
| | | CCT | 2700 K |
| | | Energy class | E |

Certifications



Photometric curves





Colour variant code



1455/BI



White



1455/AN



Anthracite

Gallery

