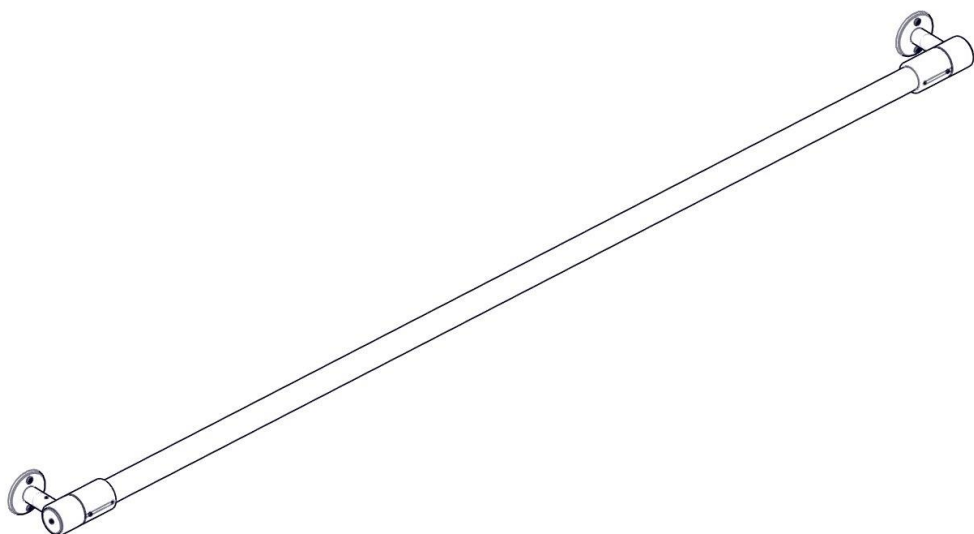
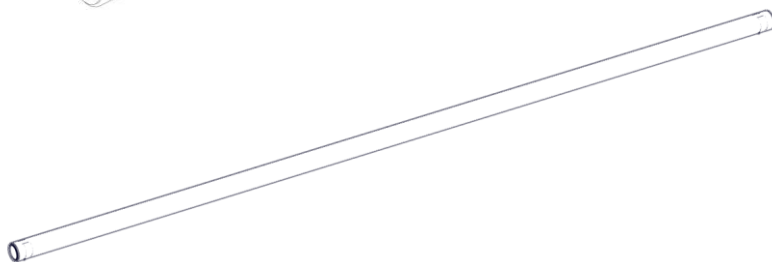
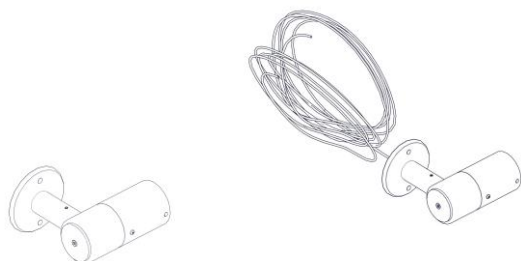
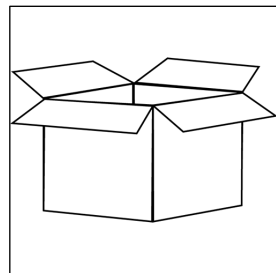
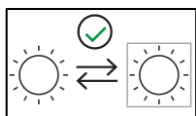
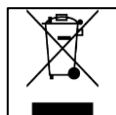
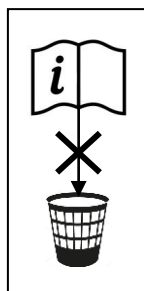
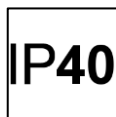


30728 – 30728.1

**SISTEMA SHANGHAI A LED**

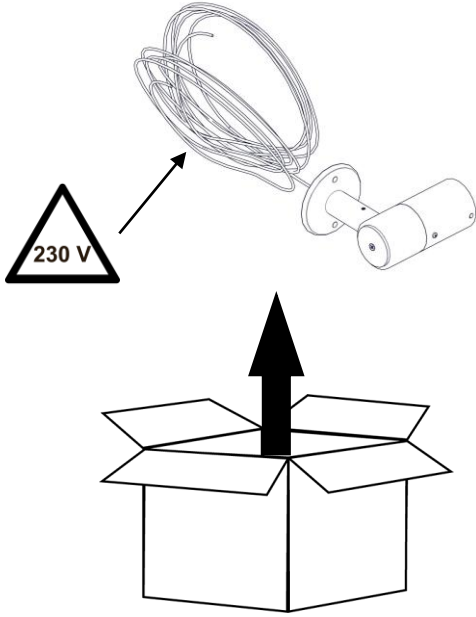
Design Studio Lucchi & Biserni, Angelo Micheli



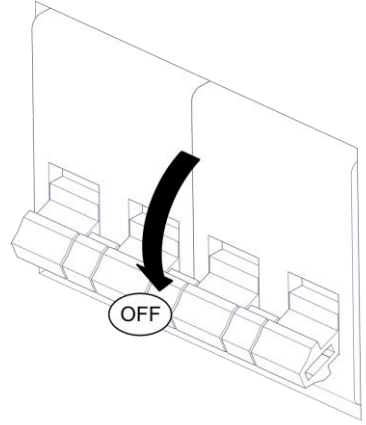


1

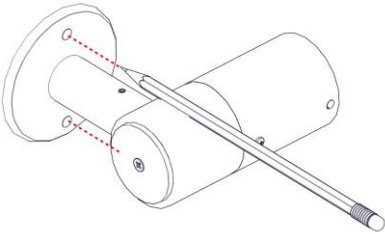
**Art. 30728**



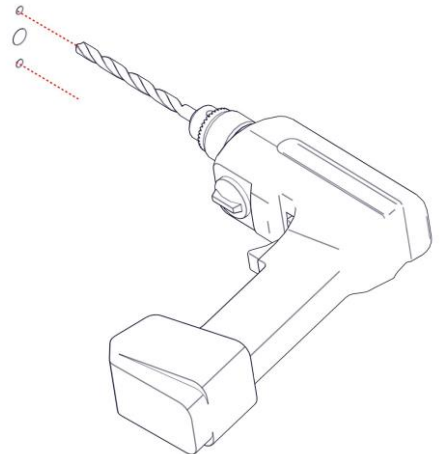
2



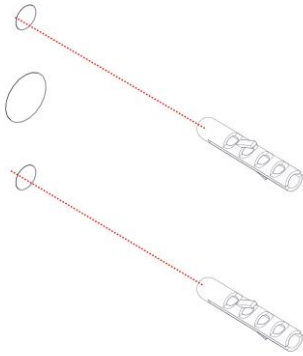
3



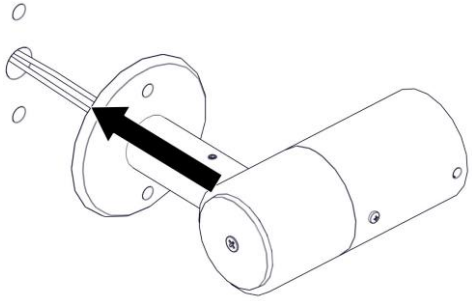
4



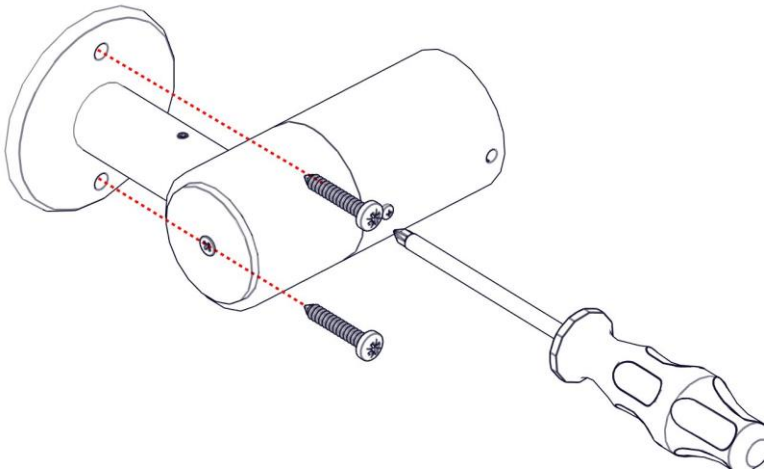
5



6

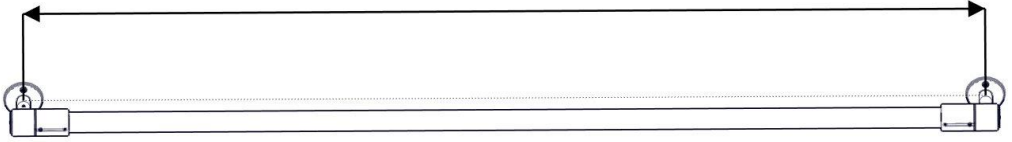


7



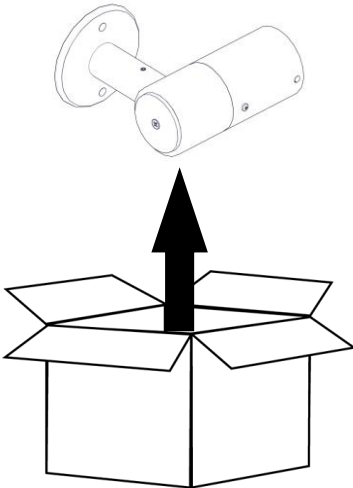
8

151cm



9

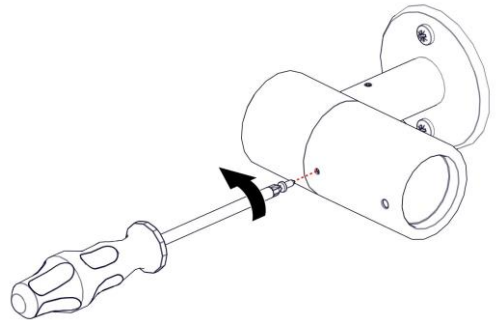
**Art. 30728.1**



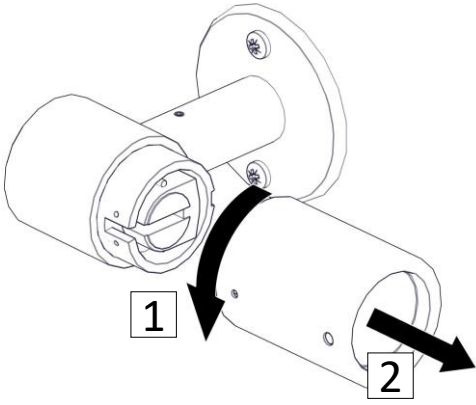
3

7

10

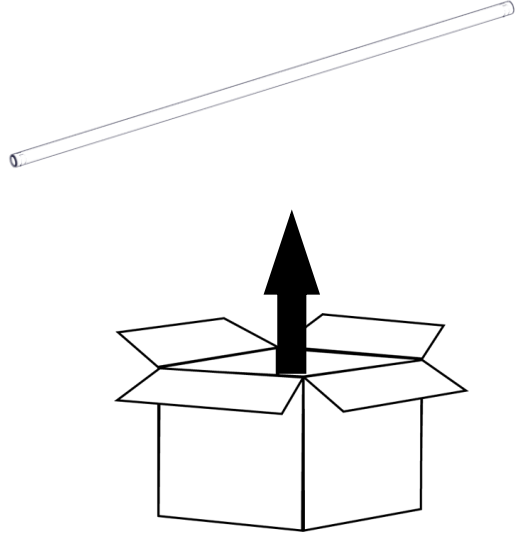


11

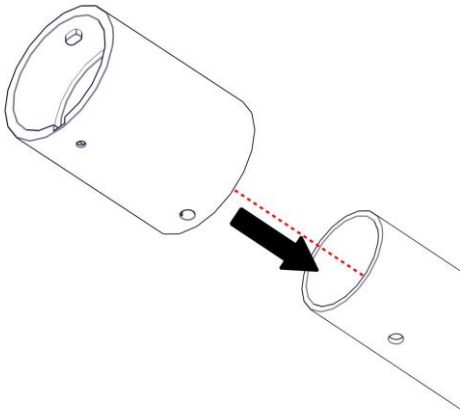


12

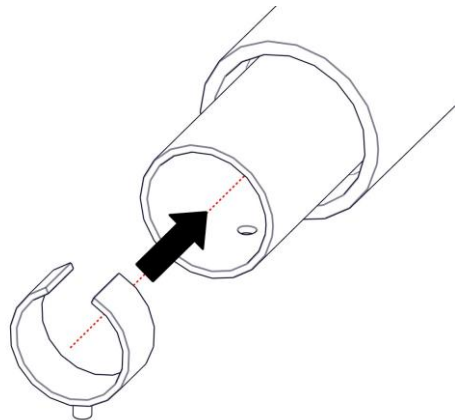
**Art. 30647**



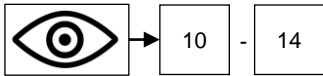
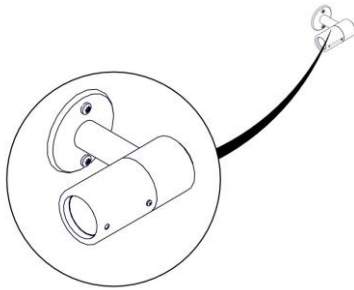
13



14



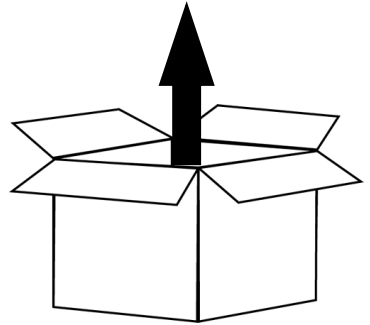
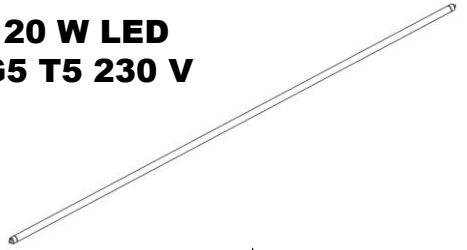
15



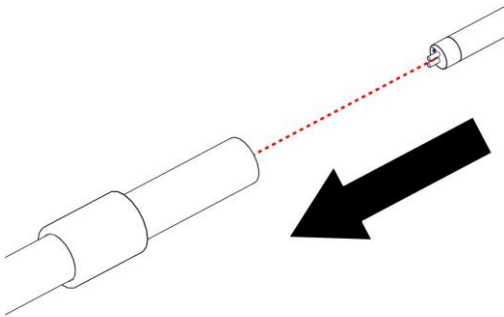
16

**Art. 5289**

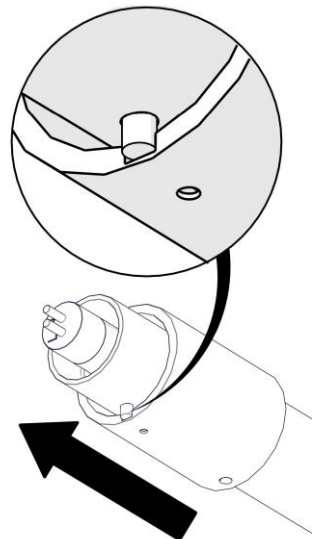
**20 W LED  
G5 T5 230 V**

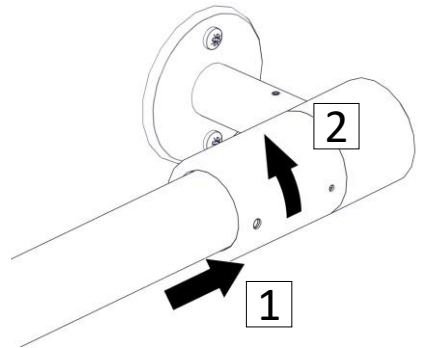
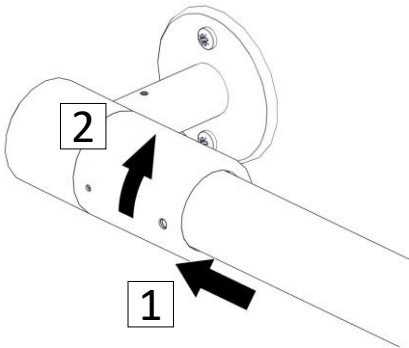
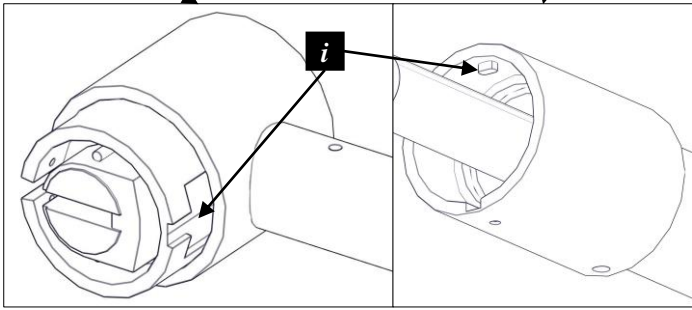
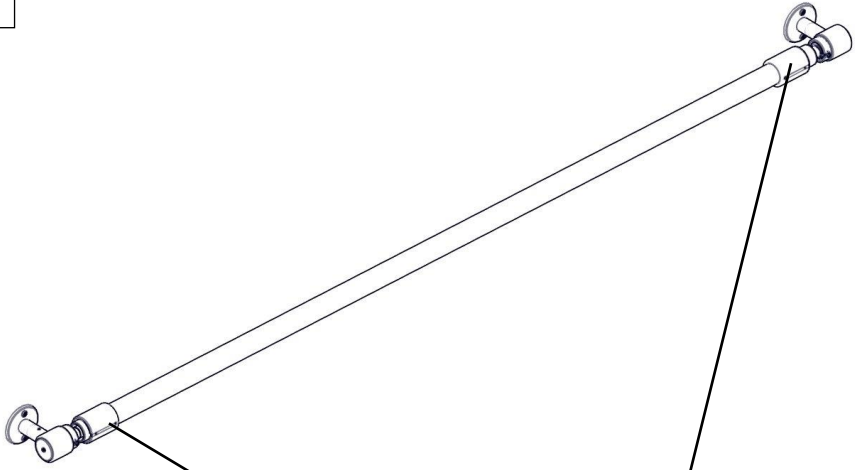


17



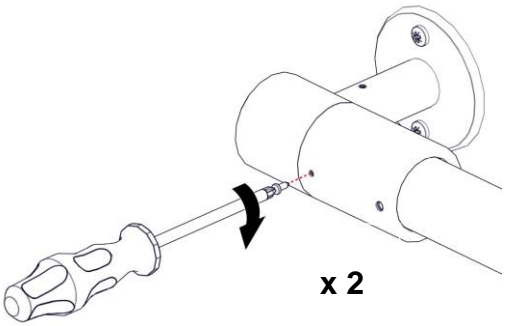
18



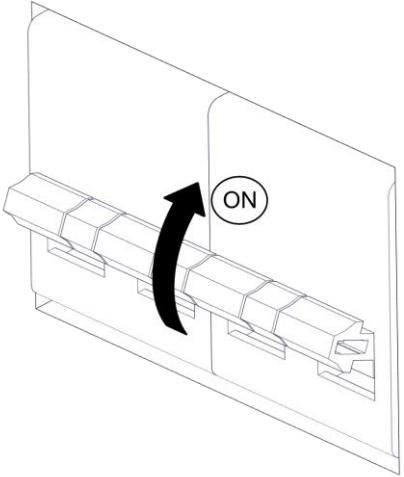




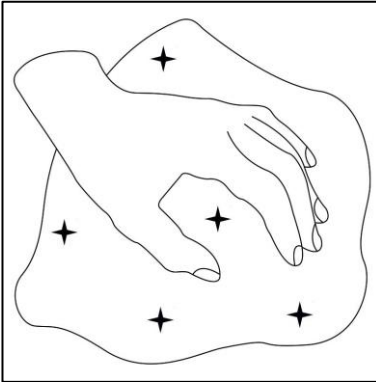
20



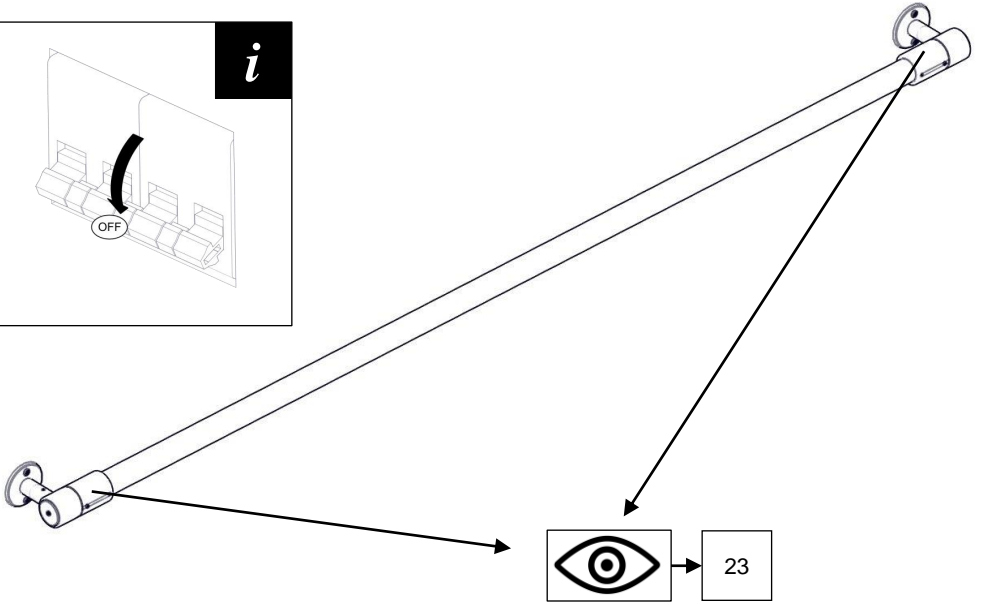
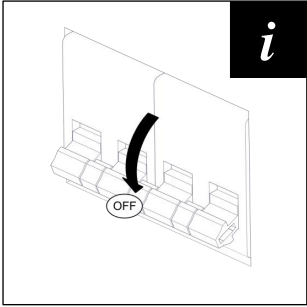
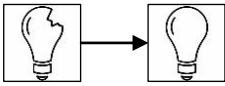
21



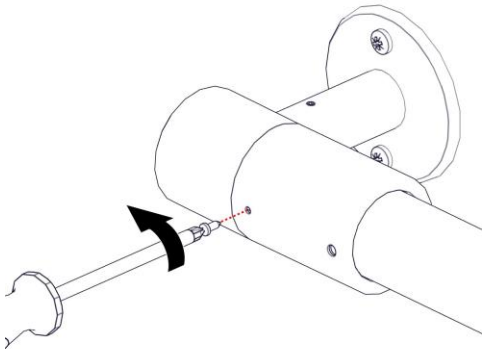
*i*



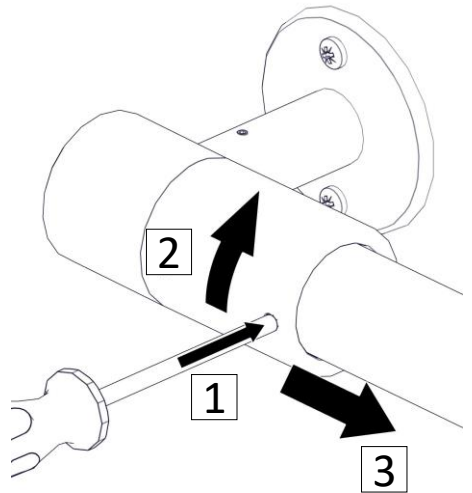
22



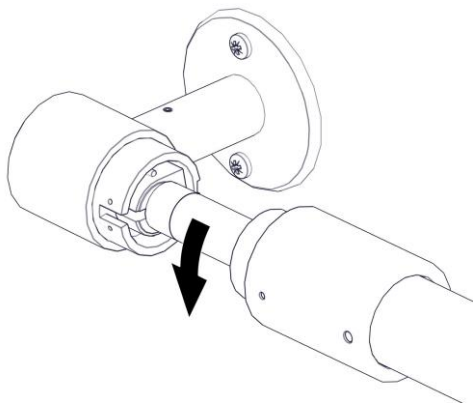
23



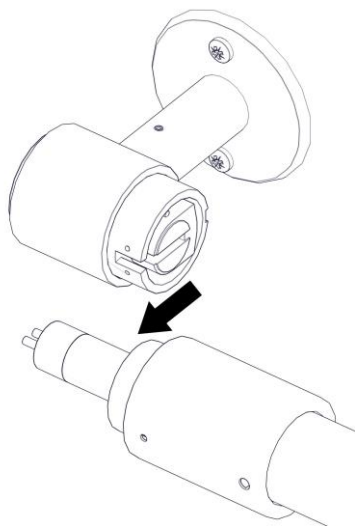
24



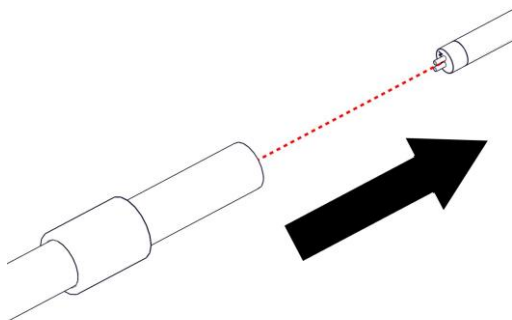
25



26

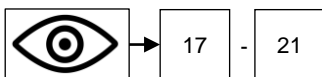
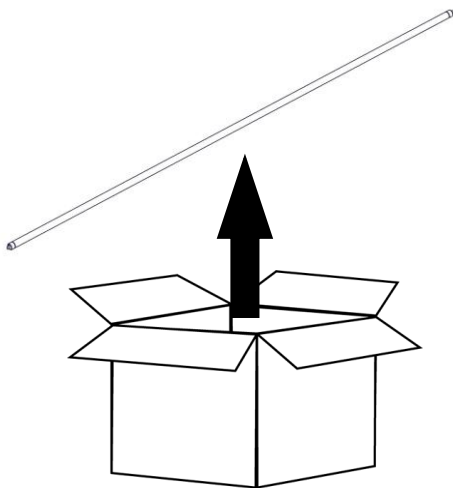


27



28

**20 W LED  
G5 T5 24V**



17

21

# **martinelli luce**

Via Teresa Bandettini  
55100 Lucca (Lu) – Italy

Tel.+39/0583.418315  
Fax. +39/0583.419003

[www.martinelliluce.it](http://www.martinelliluce.it)  
[info@martinelliluce.it](mailto:info@martinelliluce.it)