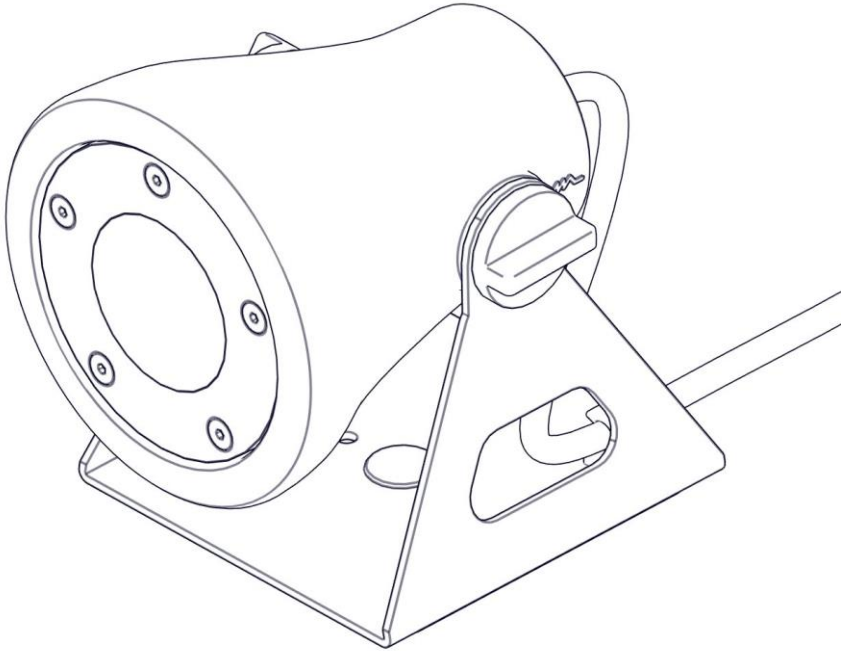
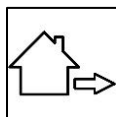
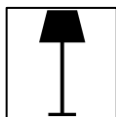


2309 / J

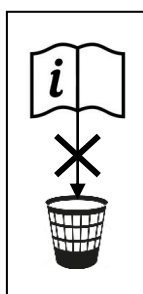
Frog Junior

Design Emiliana Martinelli

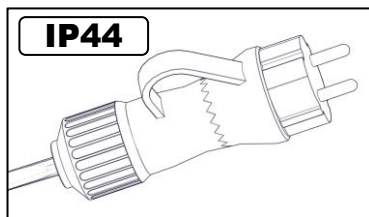
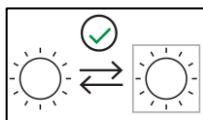
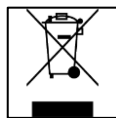
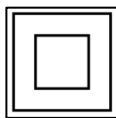




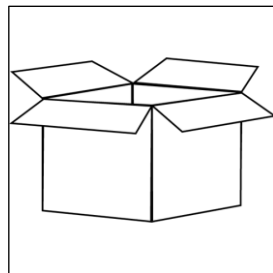
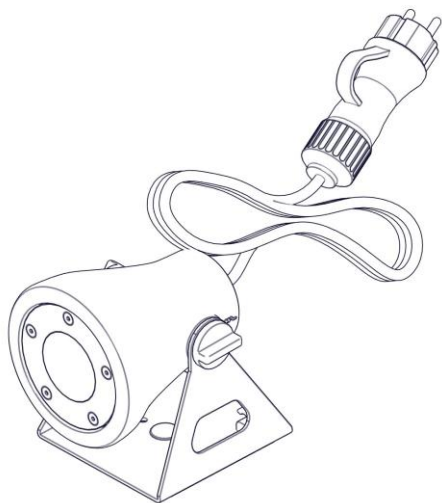
IP65



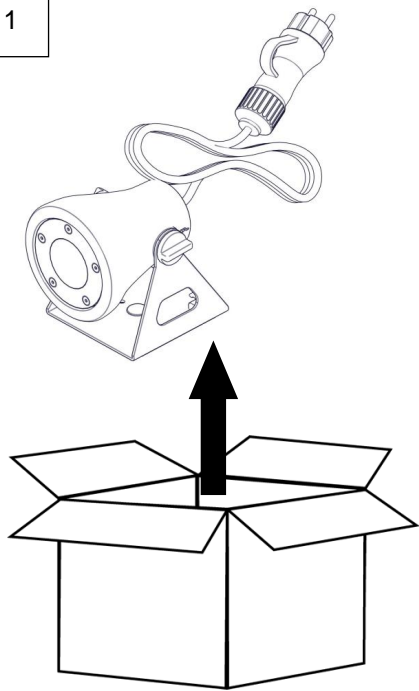
CE



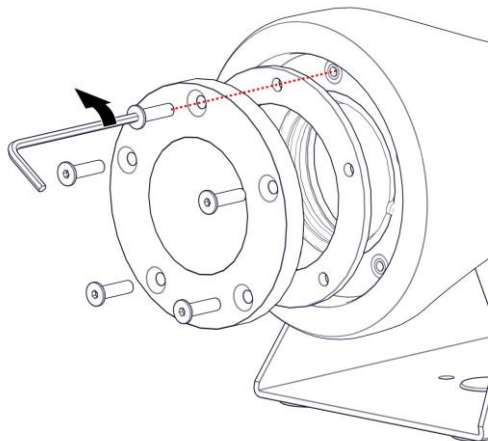
i



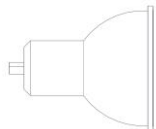
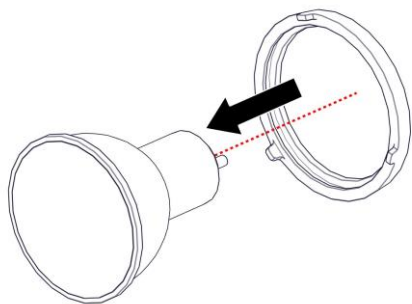
1



2

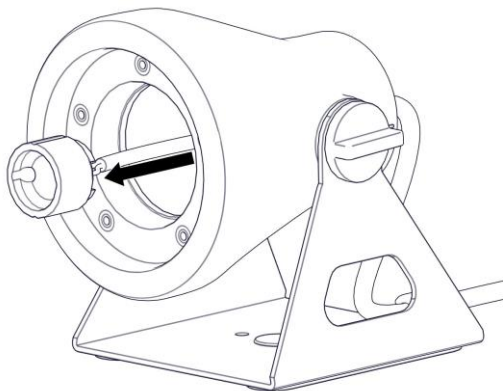


3

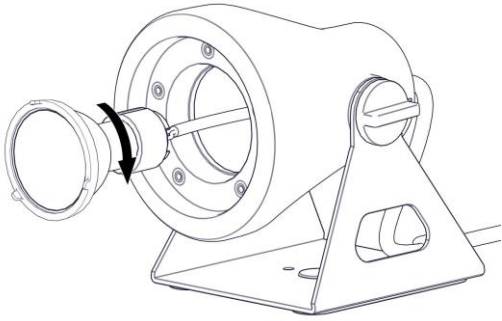


Led GU10 Ø50 mm

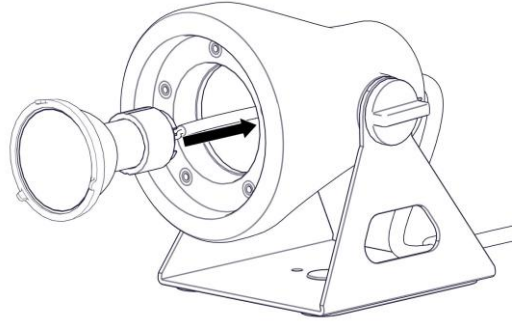
4



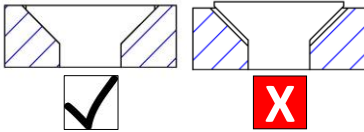
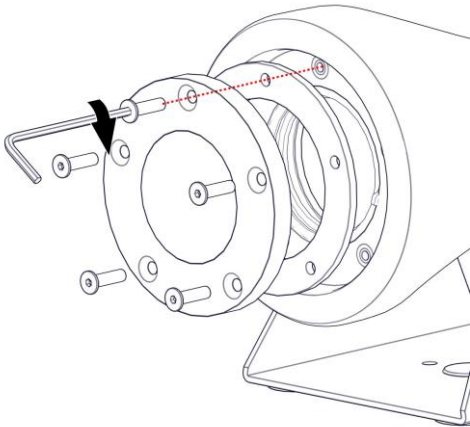
5



6

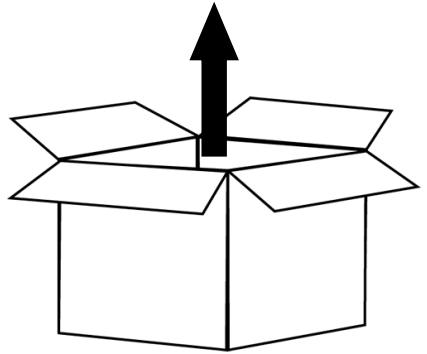
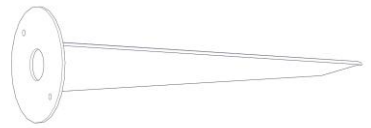


7

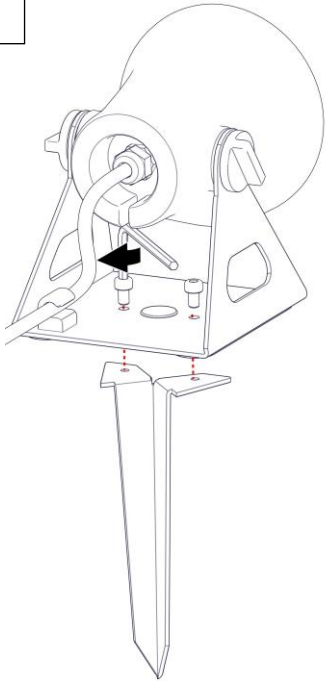


8

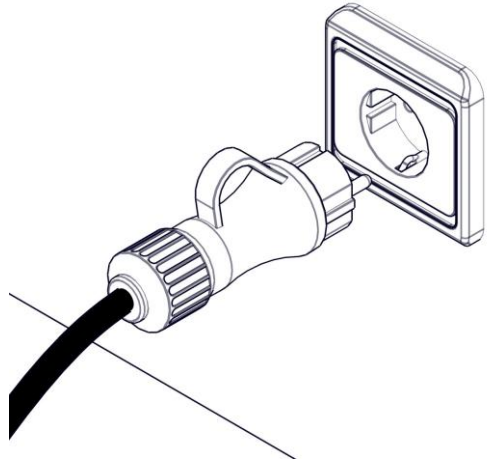
OPT.
Art. 40192



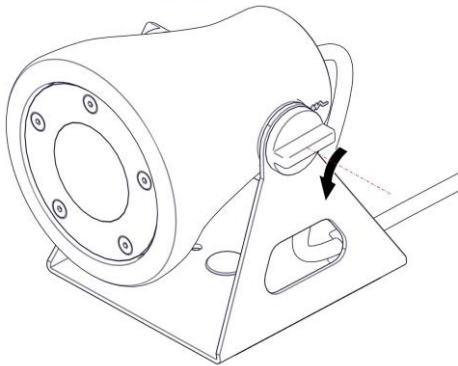
9



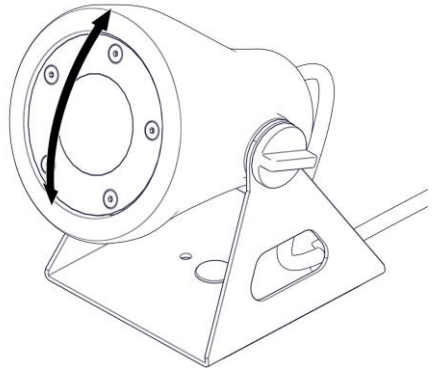
10

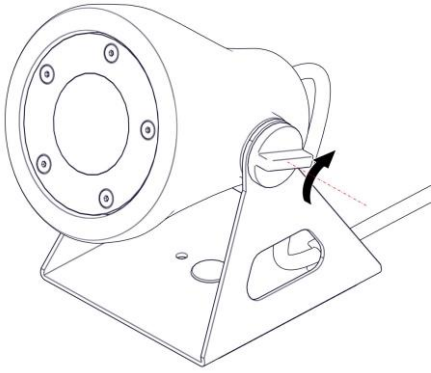


11

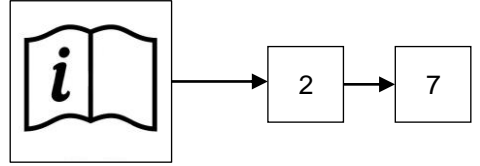
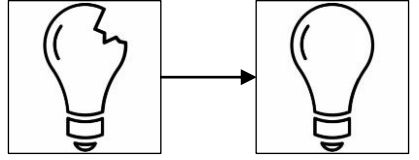


12

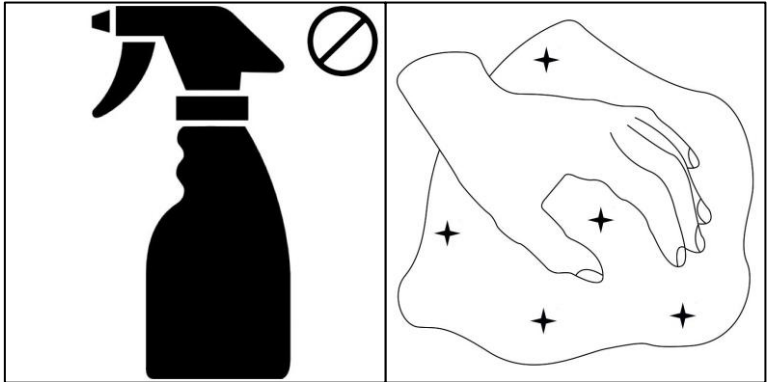




i



i



martinelli luce

Via Teresa Bandettini
55100 Lucca (Lu) – Italy

Tel.+39/0583.418315
Fax. +39/0583.419003

www.martinelliluce.it
info@martinelliluce.it