

Loop

Loop circular

Emiliana Martinelli

colors



Typology Pendant
Utilisation Indoor

230V 217.2 W 19918 lm



diffuse light



Hanging lamp, diffused light, composed with curved sectors in painted aluminium profile. The union of those sectors offer different diameters rings, hanged by stainless steel cables. White opal polycarbonate diffuser. Integrated LED light source. Electronic dimmable Push/Dali, 0-10V e 1-10V driver inside in the canopy. Available on request 2700K, 4000K.

interior light emission:

21003/500/DIM Ø 500cm
composed by 6 sectors 60°

21003/400/DIM Ø 400cm
composed by 5 sectors 72°

21003/300/DIM Ø 300cm
composed by 4 sectors 90°

21003/200/DIM Ø 200cm
composed by 3 sectors 120°

21003/160/DIM Ø 160cm
composed by 3 sectors 120°



Family Loop
 Typology Pendant
 Utilisation Indoor



Dimensions

Height 8 cm
 Diameter 160 cm
 Weight 15 Kg



Materials

Structure aluminium Diffuser polycarbonate

Voltage	230V	Watt	217.2 W
Power unit	Included	Lumen	19918 lm
Mounting Power Supply	External	CRI	>80
	Electronic power supply	CCT	3000 K
Power supply	Electronic power supply	Energy class	
Dimming	Push		
	Dali2		
	Pot. 10K Ω		
	0-10V		
	1-10V		

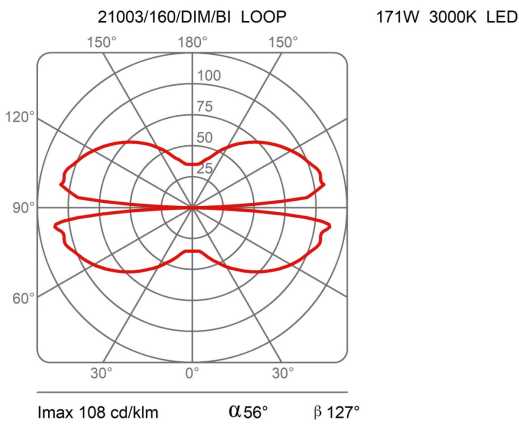
Certifications



EcoLabel

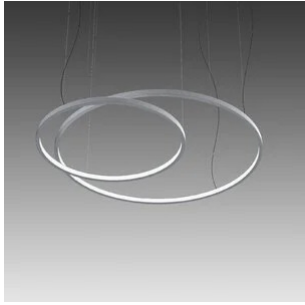


Photometric curves



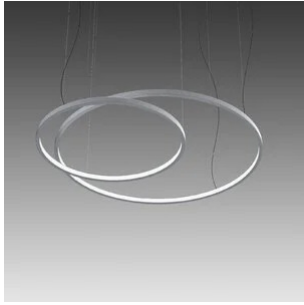


Colour variant code



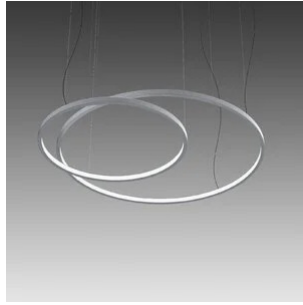
21003/160/DIM/BI


White



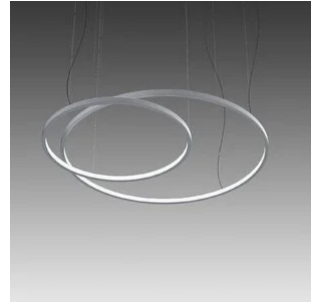
21003/160/DIM/NE


Black



21003/160/DIM/AU


Pearl Gold



21003/160/DIM/CU


Copper