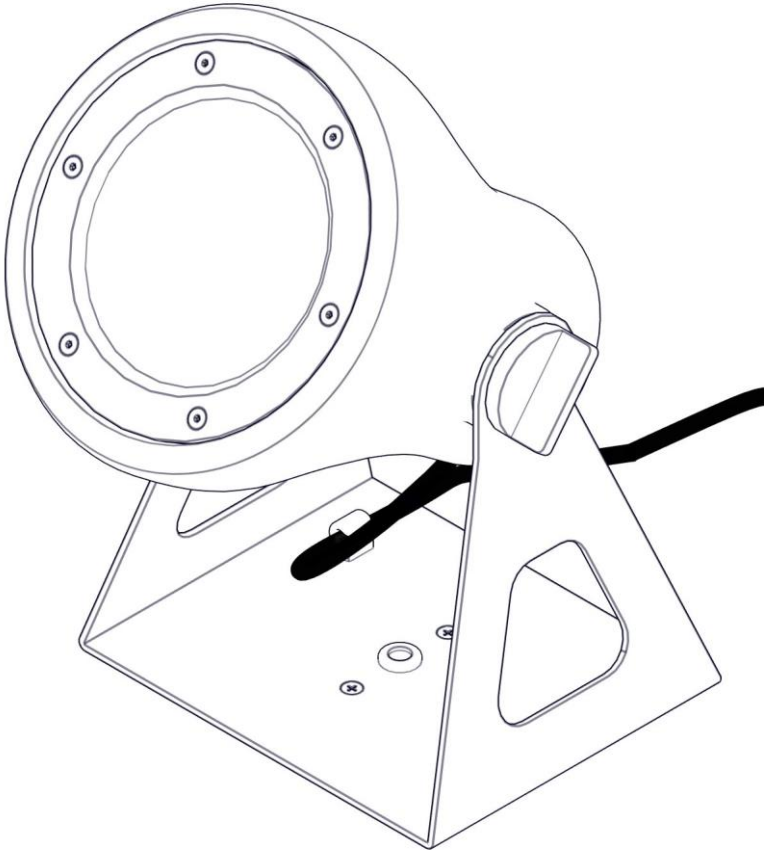


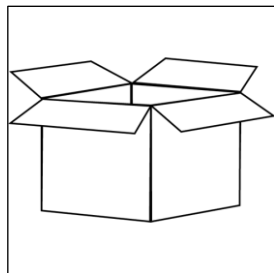
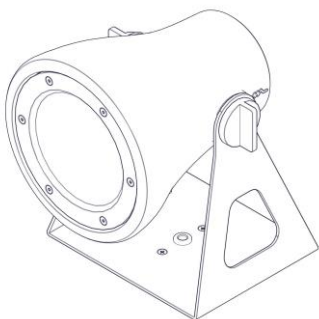
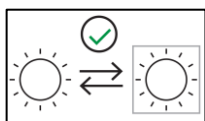
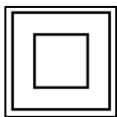
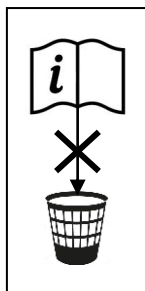
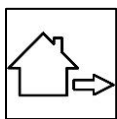
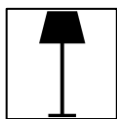
2309

Frog

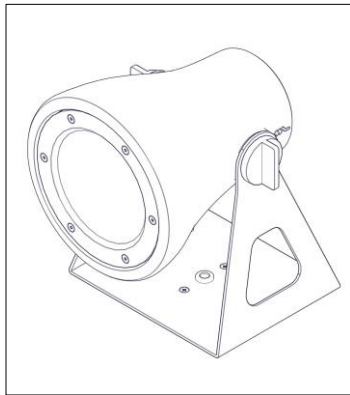
Design Emiliana Martinelli

  
martinelli luce®

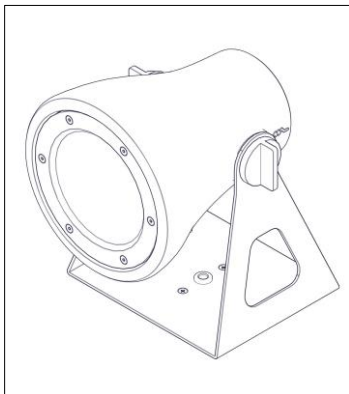




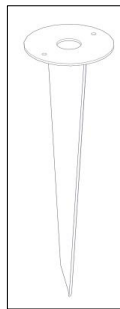
**OPT.**  
**Art. 40166**



1



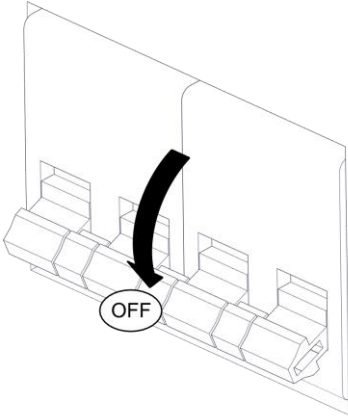
+



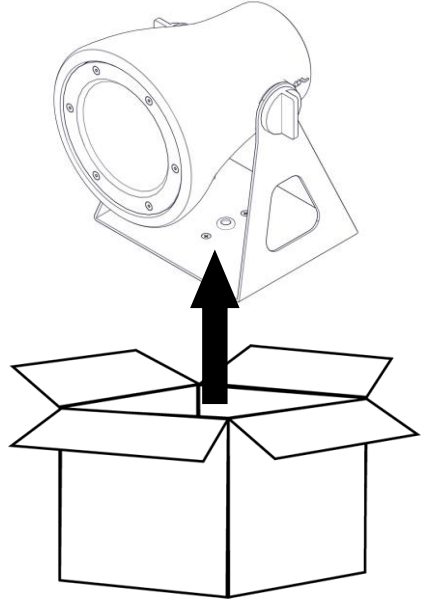
13

**OPT.**  
**Art. 40166**

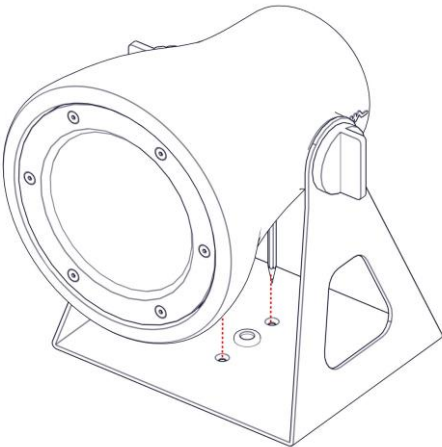
1



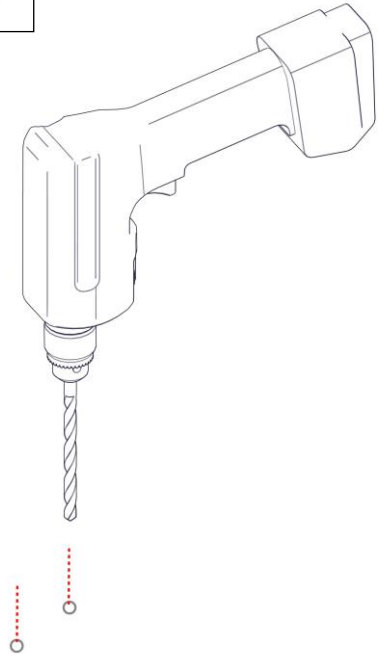
2



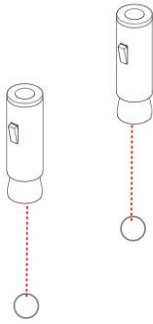
3



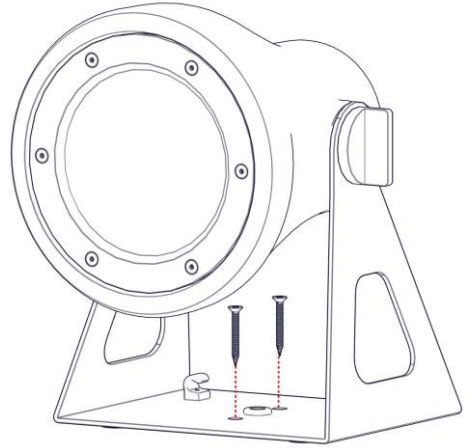
4



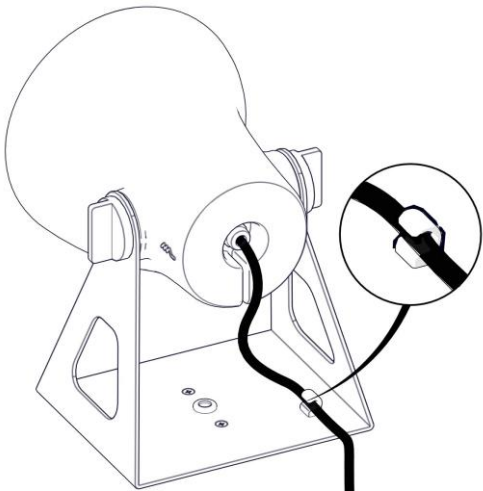
5



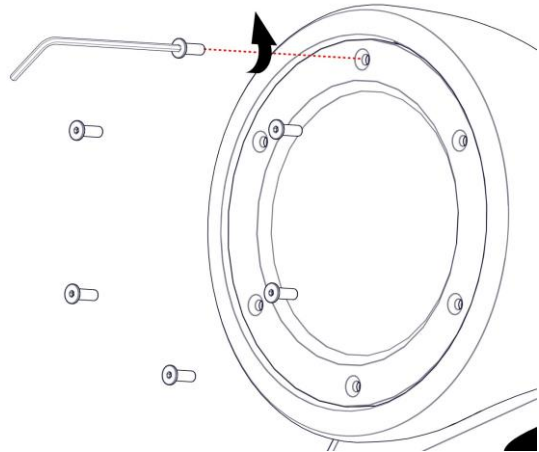
6



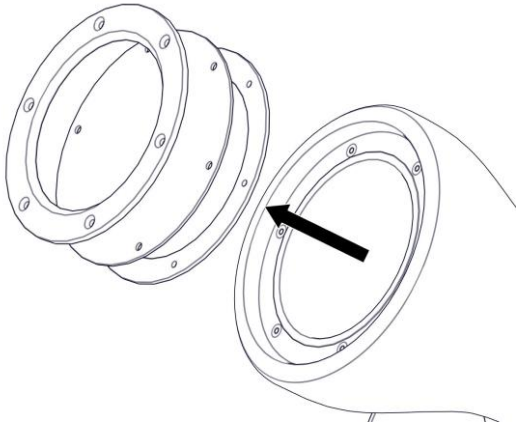
7



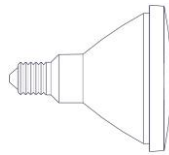
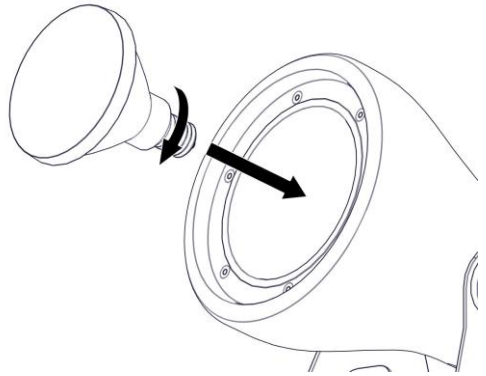
8



9

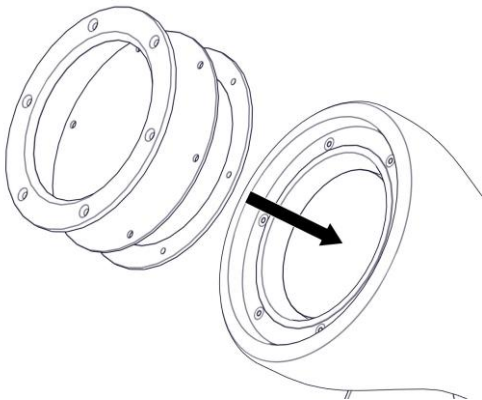


10



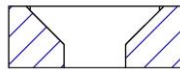
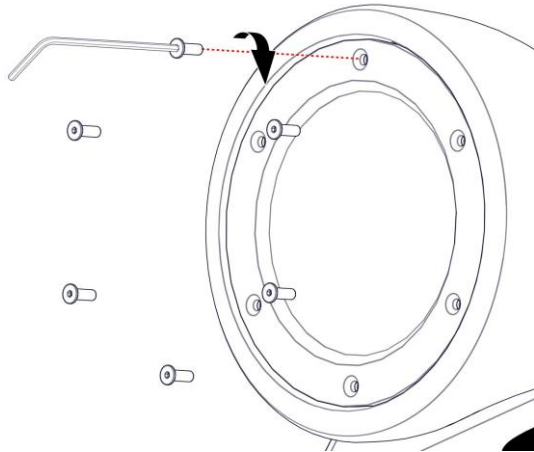
14 W Led PAR38 E27 25°  
18 W Led PAR38 E27 38°  
20 W Led PAR38 E27 45°

11

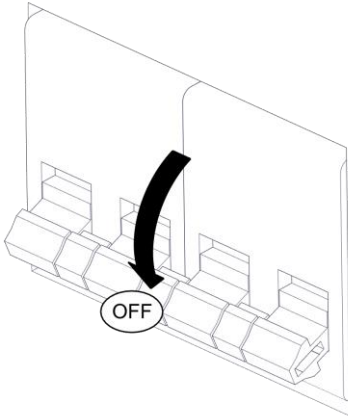


12

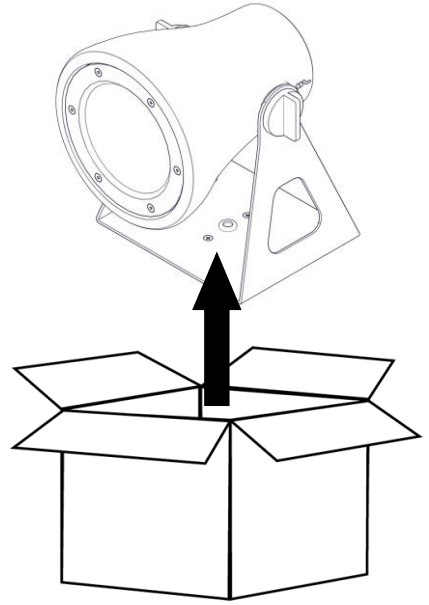
18



13

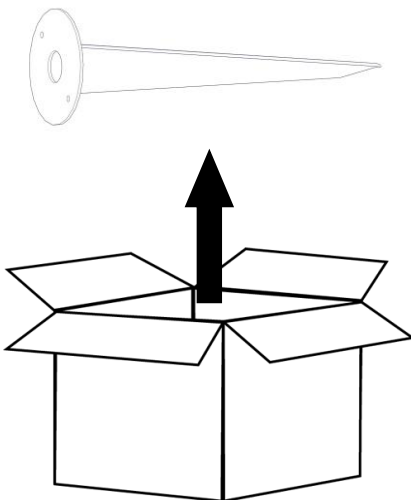


14

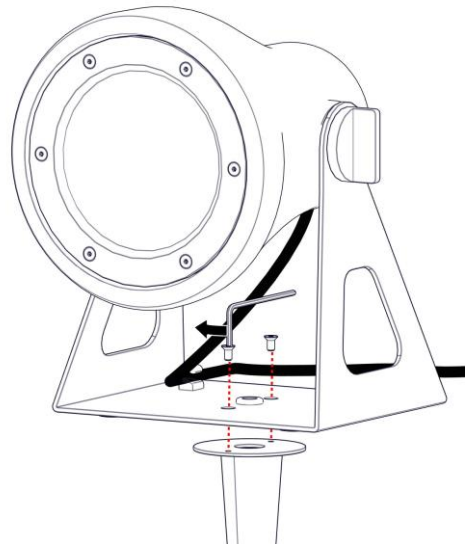


15

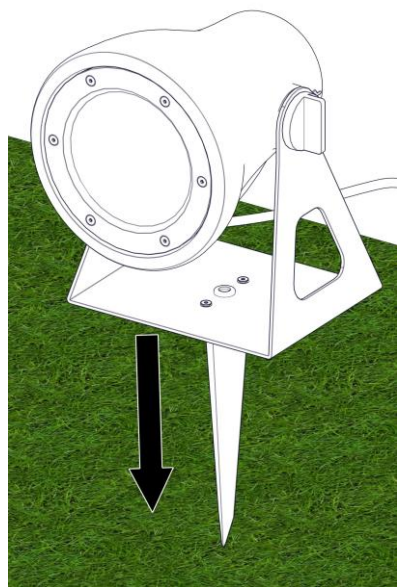
**OPT.**  
**Art. 40166**



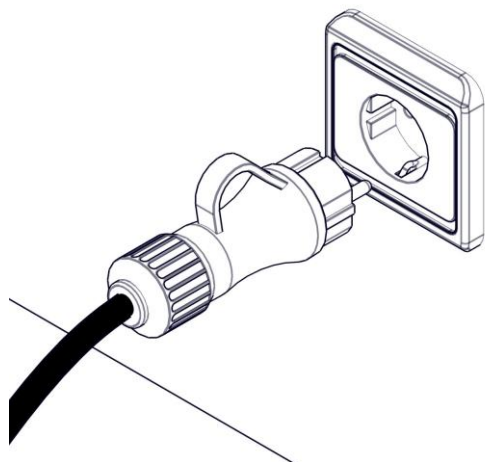
16



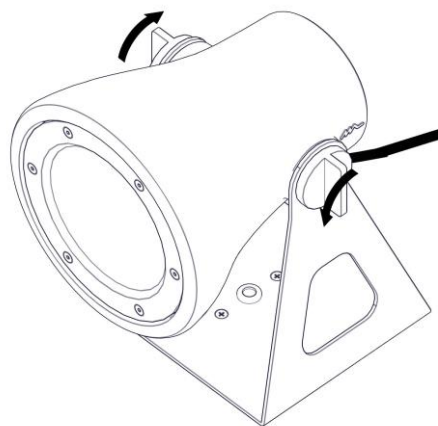
17



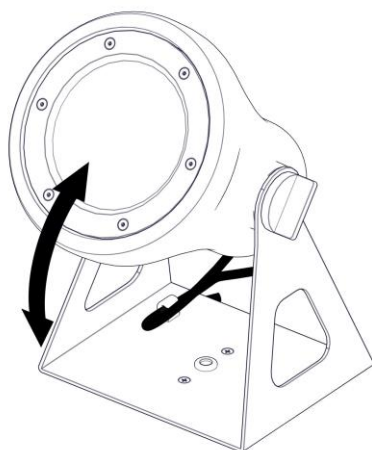
18



19

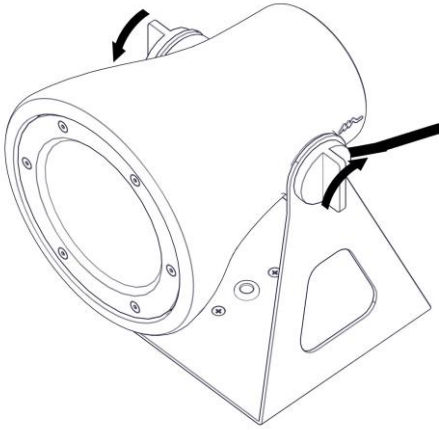


20

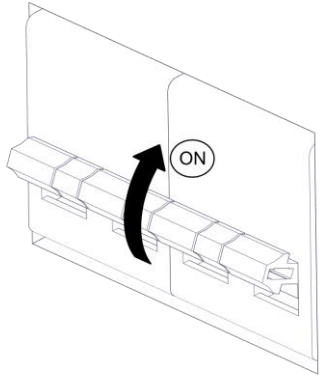




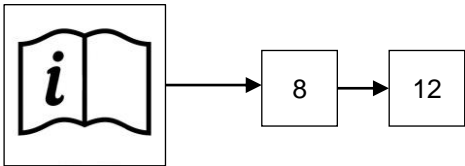
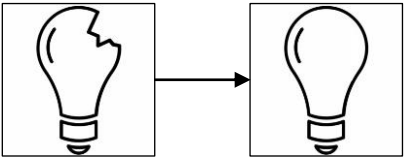
21



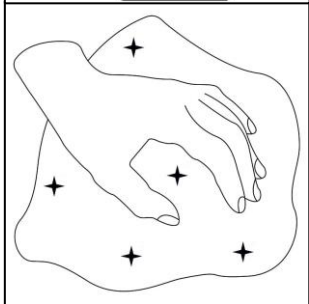
22

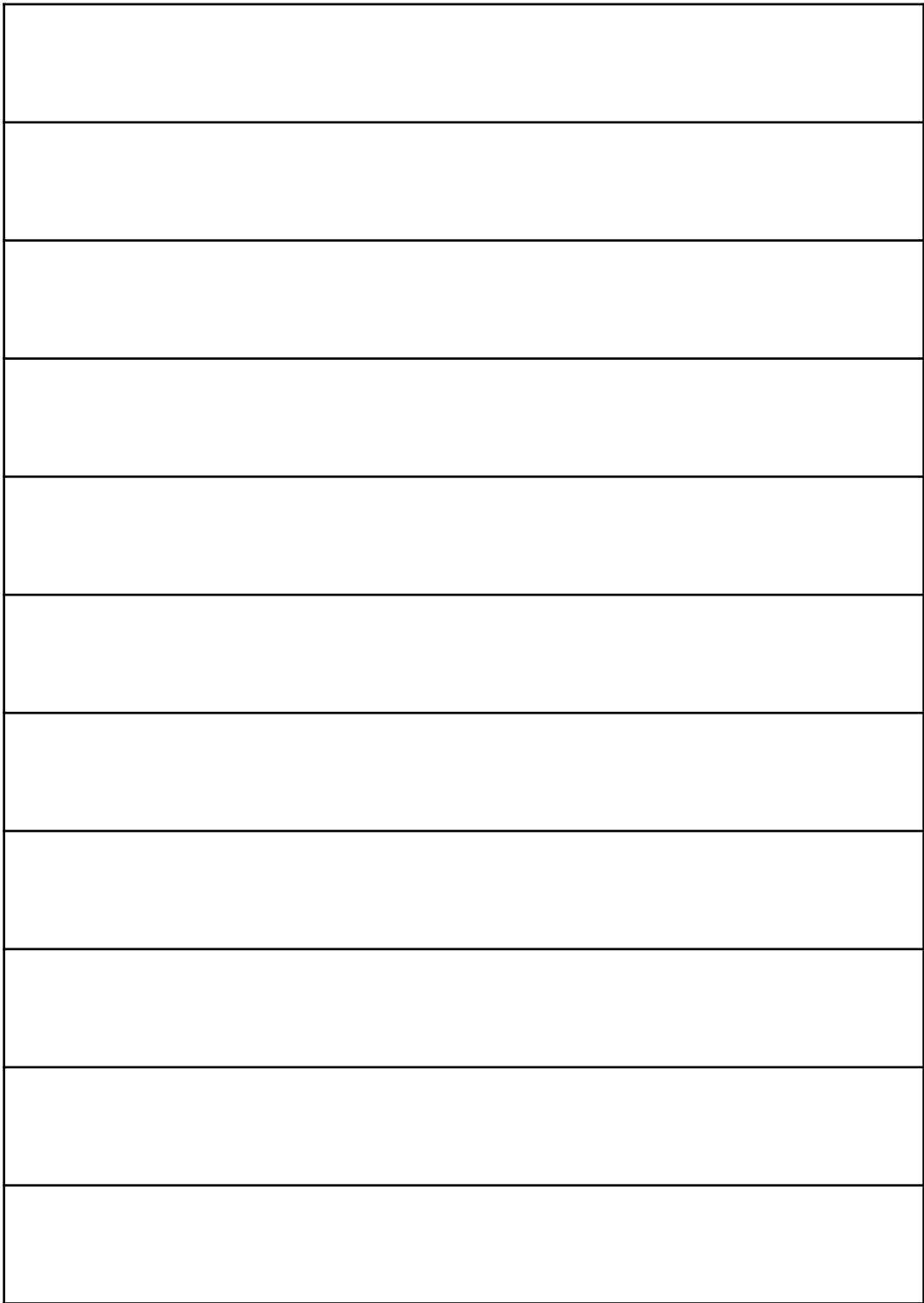


***i***



***i***







# **martinelli luce**

Via Teresa Bandettini  
55100 Lucca (Lu) – Italy

Tel.+39/0583.418315  
Fax. +39/0583.419003

[www.martinelliluce.it](http://www.martinelliluce.it)  
[info@martinelliluce.it](mailto:info@martinelliluce.it)