

Loop

Loop circular

Emiliana Martinelli

colors



Typology Pendant
Utilisation Indoor

230V 271.2 W 24868 lm



diffuse light



Hanging lamp, diffused light, composed with curved sectors in painted aluminium profile. The union of those sectors offer different diameters rings, hanged by stainless steel cables. White opal polycarbonate diffuser. Integrated LED light source. Electronic dimmable Push/Dali, 0-10V e 1-10V driver inside in the canopy. Available on request 2700K, 4000K.

interior light emission:

21003/500/DIM Ø 500cm
composed by 6 sectors 60°

21003/400/DIM Ø 400cm
composed by 5 sectors 72°

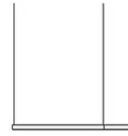
21003/300/DIM Ø 300cm
composed by 4 sectors 90°

21003/200/DIM Ø 200cm
composed by 3 sectors 120°

21003/160/DIM Ø 160cm
composed by 3 sectors 120°



Family Loop
 Typology Pendant
 Utilisation Indoor



Dimensions

Diameter 200 cm
 Weight 18 Kg

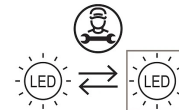
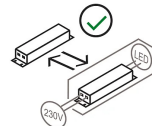


Materials

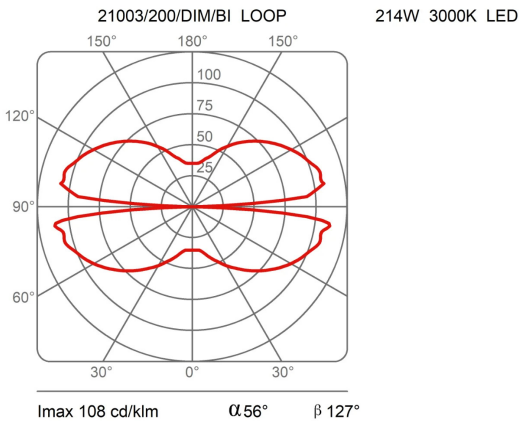
Structure aluminium Diffuser polycarbonate

Voltage	230V	Watt	271.2 W
Power unit		Lumen	24868 lm
Mounting Power Supply	External	CRI	>80
Power supply	Electronic dimmable power supply	CCT	3000 K
Dimming	Push Dali2 Pot. 10K Ω 0-10V 1-10V	Energy class	

Certifications



Photometric curves





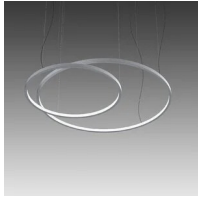
Colour variant code



21003/200/DIM/BI



White



21003/200/DIM/NE



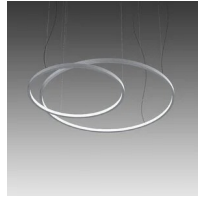
Black



21003/200/DIM/AU



Pearl Gold



21003/200/DIM/CU



Copper