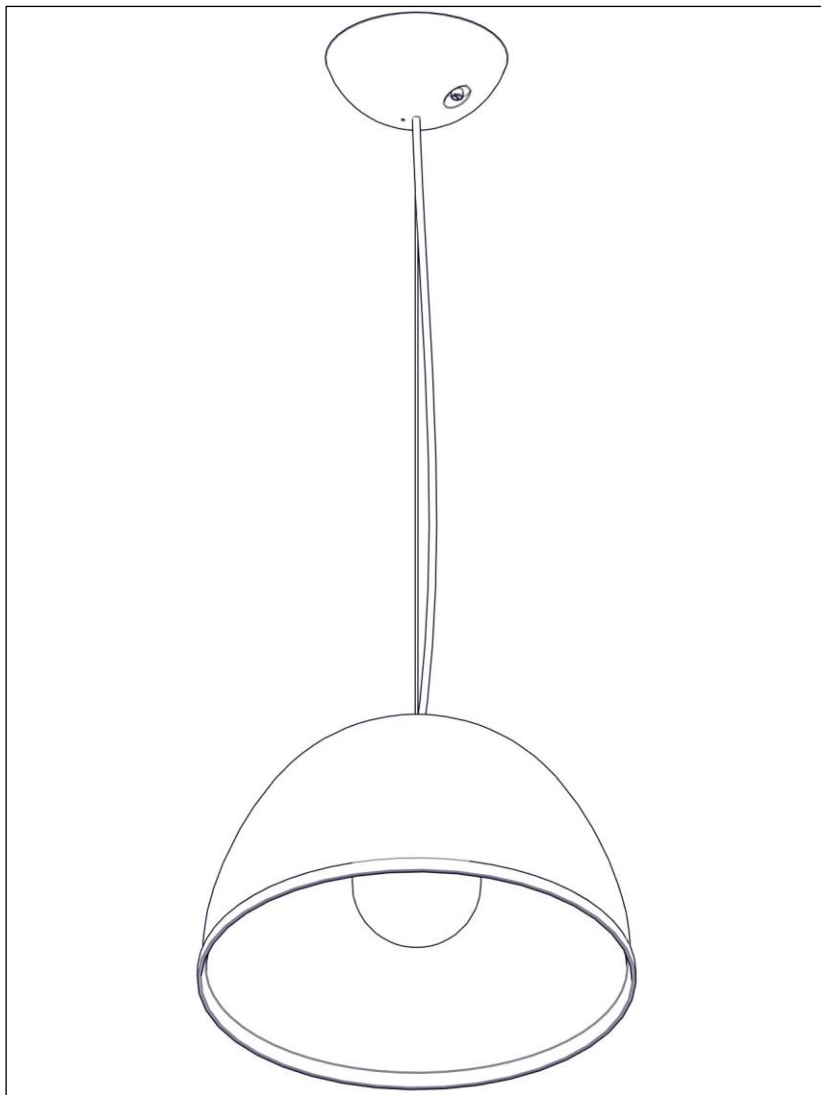


2040 / J

BABELE

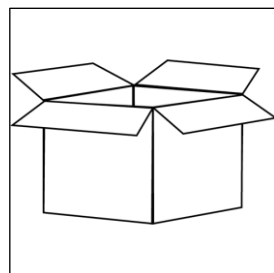
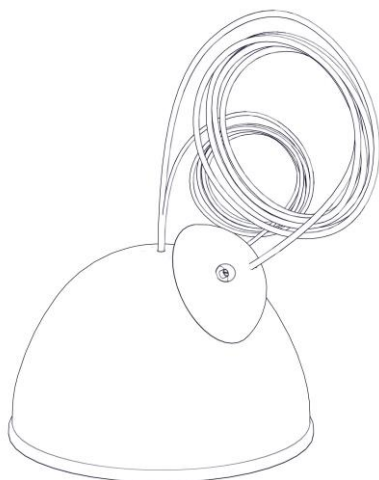
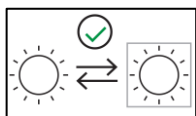
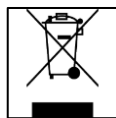
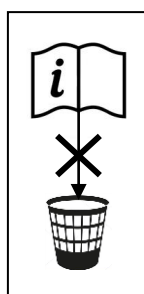
Design Marc Sadler

M
martinelli luce®

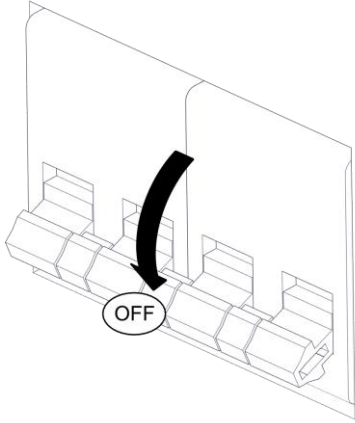




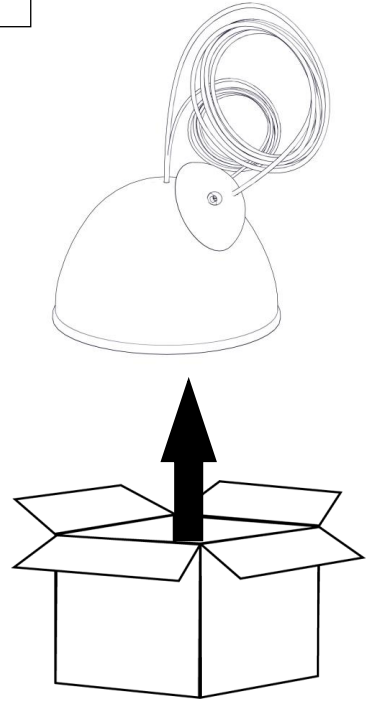
IP20



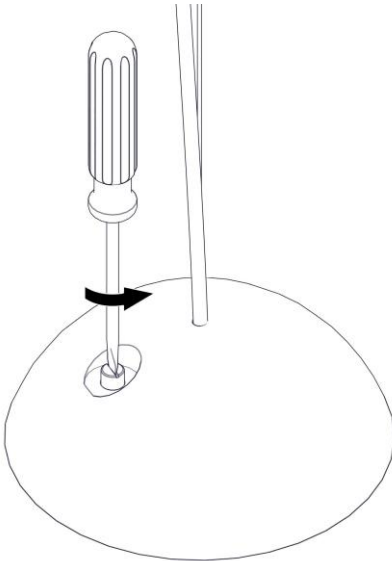
1



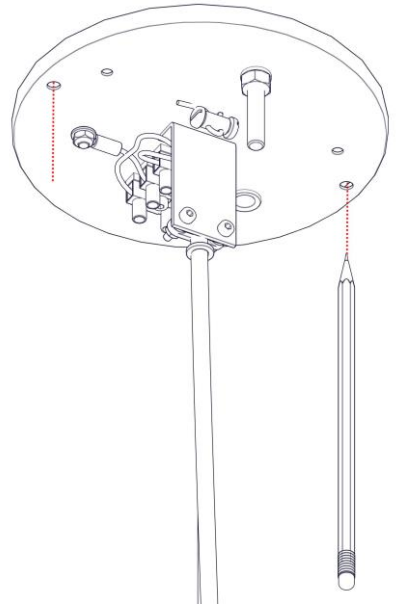
2



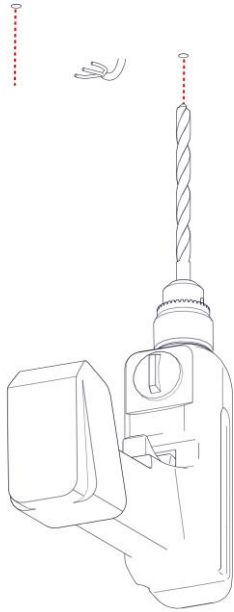
3



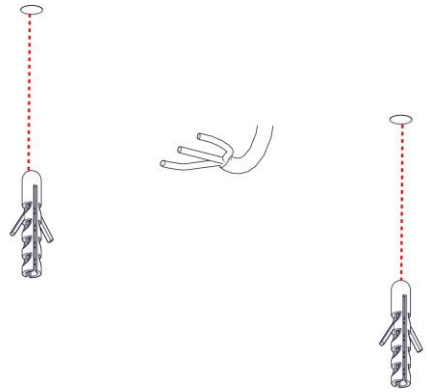
4



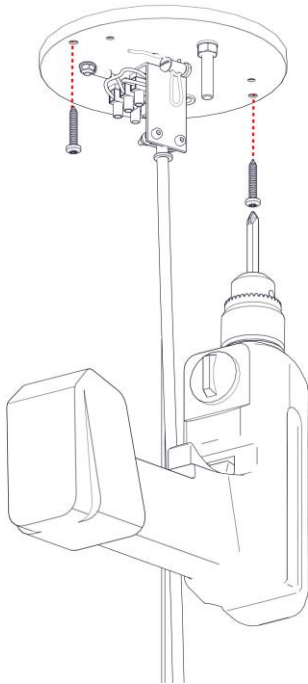
5



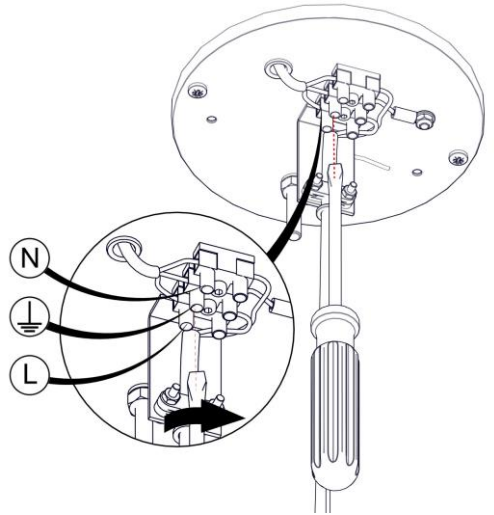
6



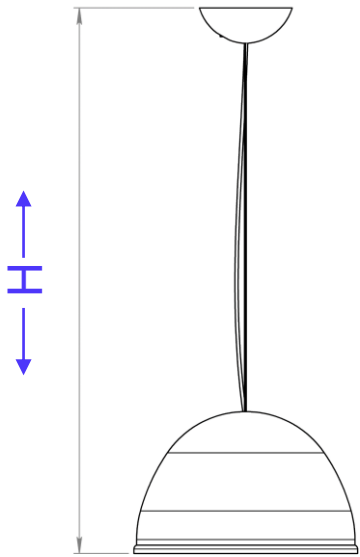
7



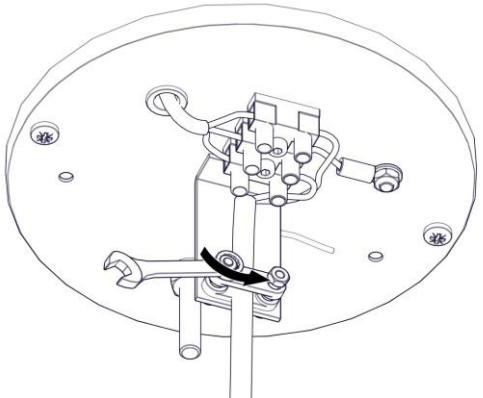
8



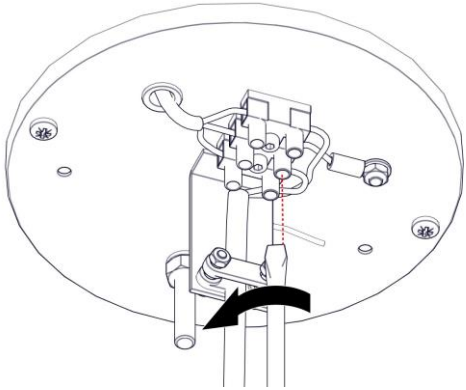
i



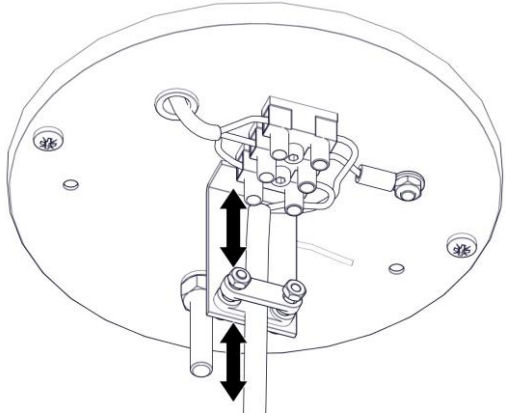
9



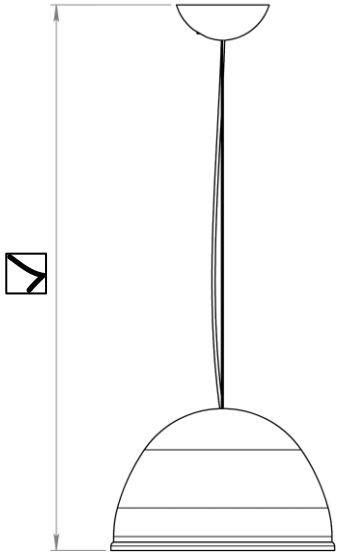
10



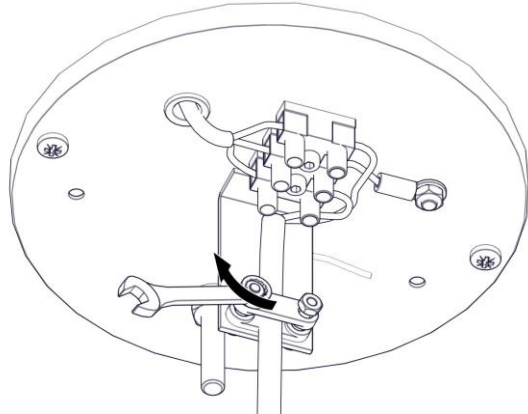
11



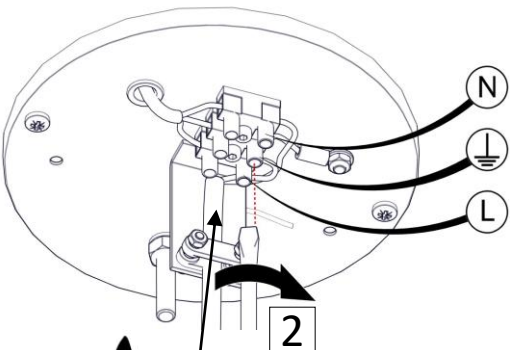
i



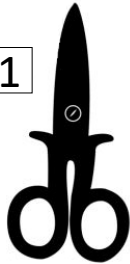
12



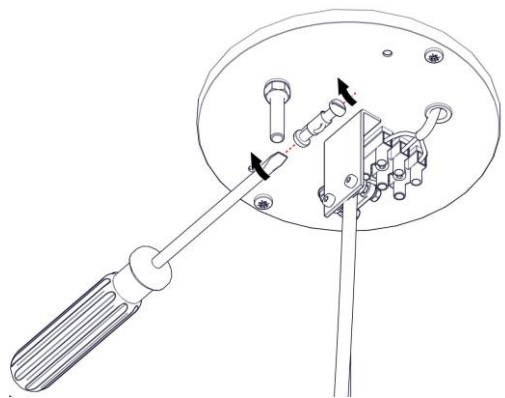
13



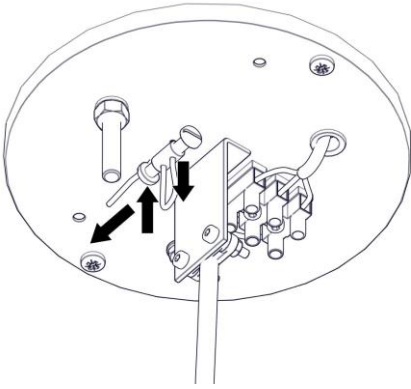
1



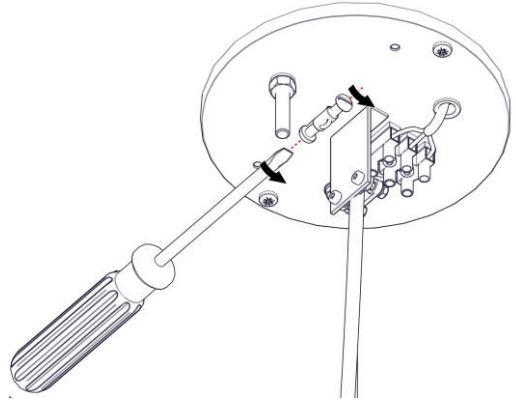
14



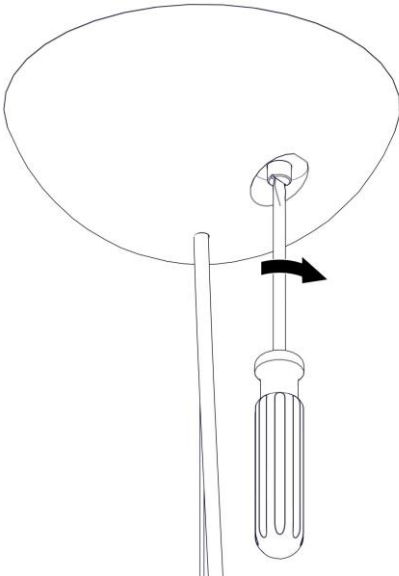
15



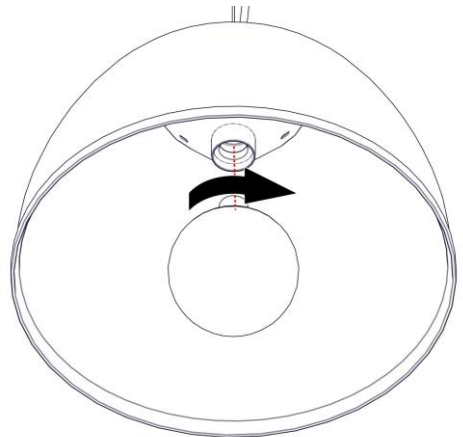
16



17

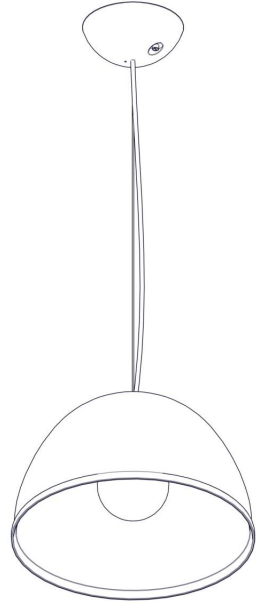
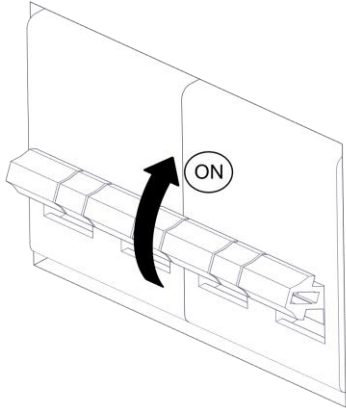


18

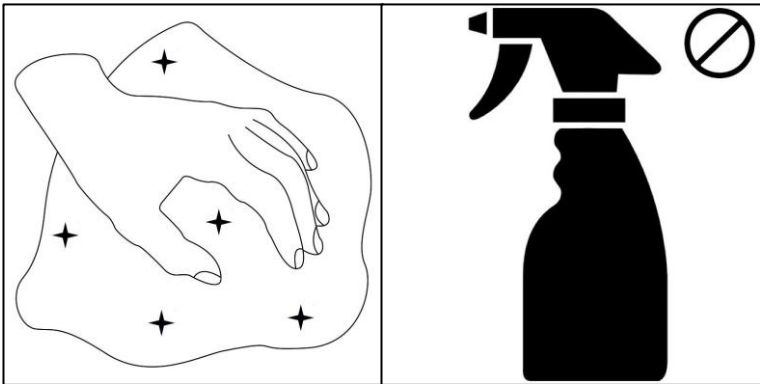


15 W LED E27

19



i



martinelli luce

Via Teresa Bandettini
55100 Lucca (Lu) – Italy

Tel.+39/0583.418315
Fax. +39/0583.419003

www.martinelliluce.it
info@martinelliluce.it