



# Toggle

Neil Poulton

colors



Typology Wall  
Utilisation Indoor

230V 4.5 W 700 lm

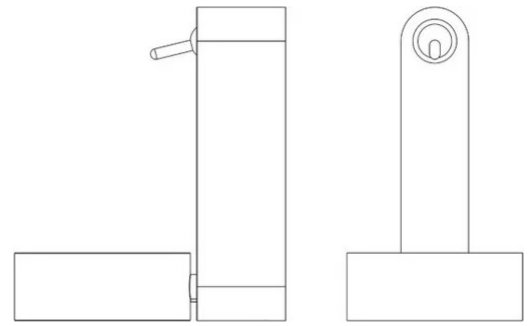


direct light

Toggle is made of die-cast aluminium painted with a satin polycarbonate diffuser. LED light source and built-in power supply.



Family	Toggle
Typology	Wall
Utilisation	Indoor



### Dimensions

Height	17,1 cm
Profondità	14,8 cm
Diameter	9,6 cm
Weight	0.7 Kg

### Materials

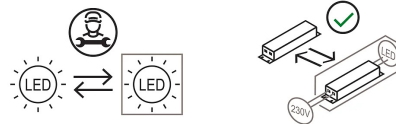
Structure	aluminium	Diffuser	polycarbonate
Elementi	aluminium		

Voltage	230V	Watt	4.5 W
Power unit	Included	Lumen	700 lm
Mounting Power Supply	Internal	CRI	>80
Power supply	Electronic power supply	CCT	2700 K
Non dimmable		Energy class	E

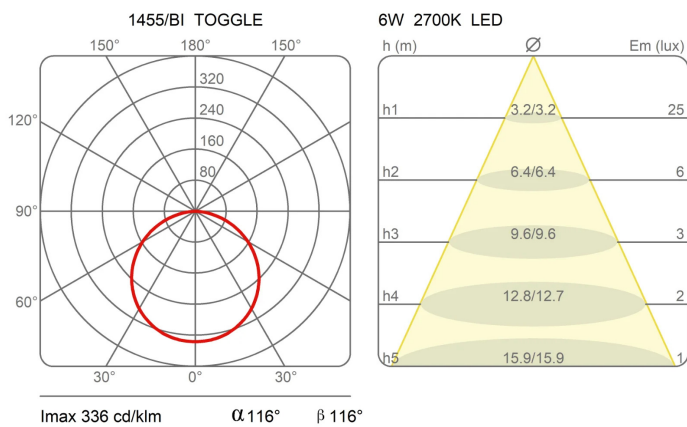
### Certifications



### EcoLabel



### Photometric curves





Colour variant code



1455/BI



White



1455/AN



Anthracite

Gallery

