

# Loop

Loop circular

Emiliana Martinelli

colors



Typology      Pendant  
Utilisation    Indoor

230V    217.2 W    19918 lm



diffuse light



---

Hanging lamp, diffused light, composed with curved sectors in painted aluminium profile. The union of those sectors offer different diameters rings, hanged by stainless steel cables. White opal polycarbonate diffuser. Integrated LED light source. Electronic dimmable Push/Dali, 0-10V e 1-10V driver inside in the canopy. Available on request 2700K, 4000K.

interior light emission:

21003/500/DIM Ø 500cm  
composed by 6 sectors 60°

21003/400/DIM Ø 400cm  
composed by 5 sectors 72°

21003/300/DIM Ø 300cm  
composed by 4 sectors 90°

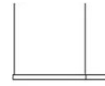
21003/200/DIM Ø 200cm  
composed by 3 sectors 120°

21003/160/DIM Ø 160cm  
composed by 3 sectors 120°

---



Family Loop  
 Typology Pendant  
 Utilisation Indoor



**Dimensions**

Height 8 cm  
 Diameter 160 cm  
 Weight 15 Kg

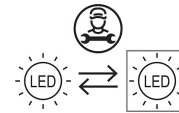
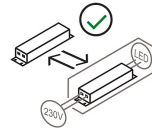


**Materials**

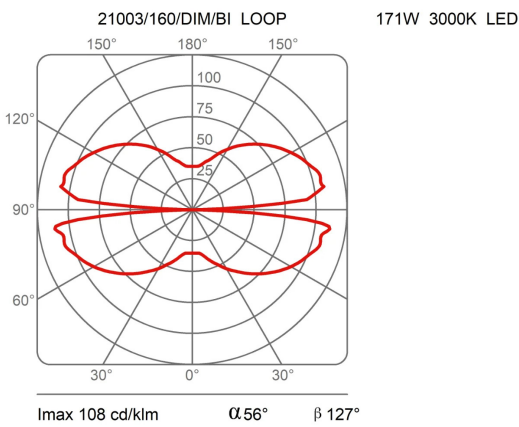
Structure aluminium      Diffuser polycarbonate

Voltage	230V	Watt	217.2 W
Power unit	Included	Lumen	19918 lm
Mounting Power Supply	External	CRI	>80
	Electronic dimmable power supply	CCT	3000 K
Power supply	Electronic dimmable power supply	Energy class	
Dimming	0-10V		
	1-10V		
	Pot. 10K $\Omega$		

**Certifications**



**Photometric curves**





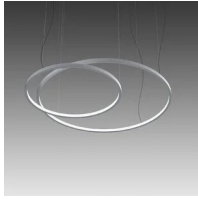
Colour variant code



21003/160/DIM/BI



White



21003/160/DIM/NE



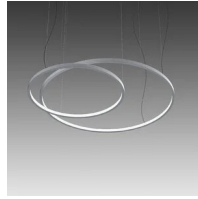
Black



21003/160/DIM/AU



Pearl Gold



21003/160/DIM/CU



Copper