

Loop

Loop circular

Emiliana Martinelli

colors



Typology Pendant
Utilisation Indoor

230V 406.9 W 37303 lm



diffuse light



Hanging lamp, diffused light, composed with curved sectors in painted aluminium profile. The union of those sectors offer different diameters rings, hanged by stainless steel cables. White opal polycarbonate diffuser. Integrated LED light source. Electronic dimmable Push/Dali, 0-10V e 1-10V driver inside in the canopy. Available on request 2700K, 4000K.

interior light emission:

21003/500/DIM Ø 500cm
composed by 6 sectors 60°

21003/400/DIM Ø 400cm
composed by 5 sectors 72°

21003/300/DIM Ø 300cm
composed by 4 sectors 90°

21003/200/DIM Ø 200cm
composed by 3 sectors 120°

21003/160/DIM Ø 160cm
composed by 3 sectors 120°



Family	Loop
Typology	Pendant
Utilisation	Indoor



Dimensions

Height	8 cm
Diameter	300 cm
Power supply cable length	400 cm
Weight	28 Kg

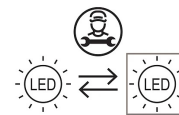
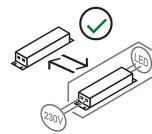


Materials

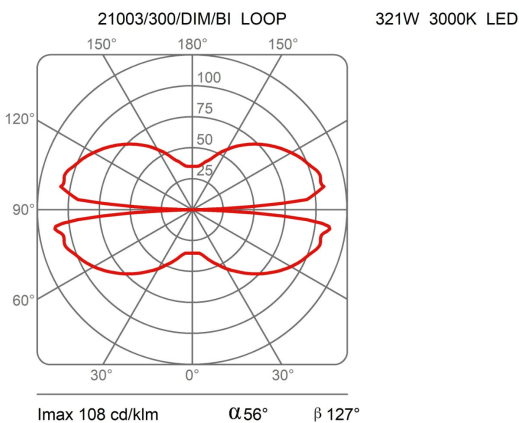
Structure	aluminium	Diffuser	polycarbonate
-----------	-----------	----------	---------------

Voltage	230V	Watt	406.9 W
Power unit		Lumen	37303 lm
Mounting Power Supply	External	CRI	>80
Power supply	Electronic dimmable power supply	CCT	3000 K
Dimming	Push	Energy class	
	Dali2		
	Pot. 10K Ω		
	0-10V		
	1-10V		

Certifications



Photometric curves





Colour variant code



21003/300/DIM/BI



White



21003/300/DIM/NE



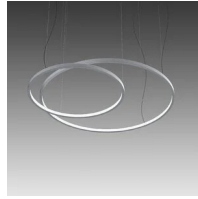
Black



21003/300/DIM/AU



Pearl Gold



21003/300/DIM/CU



Copper